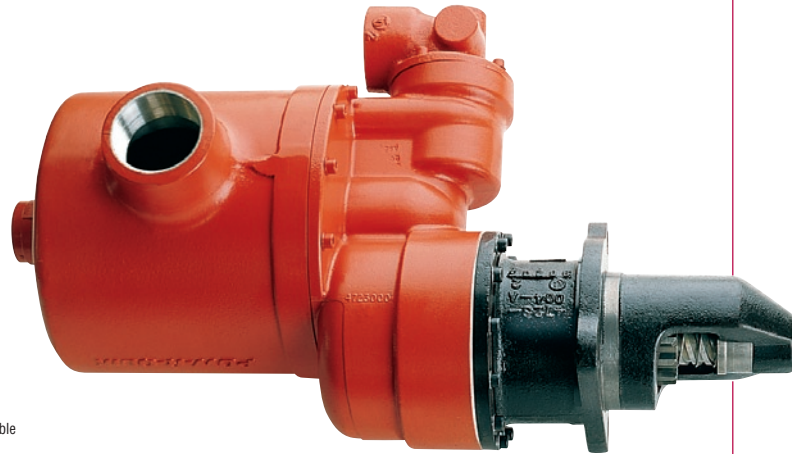
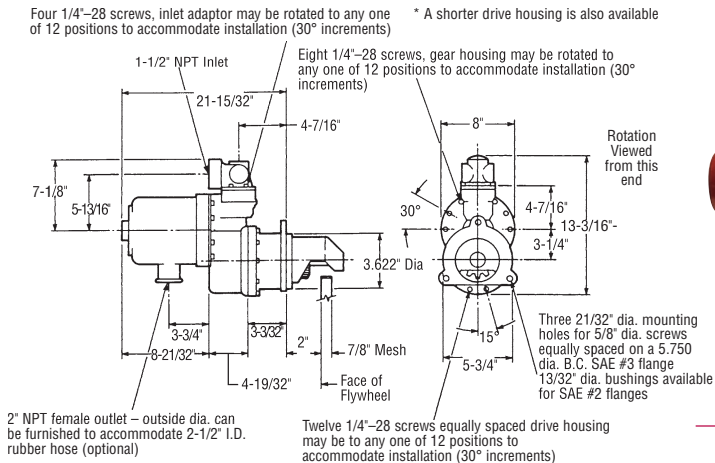


POW-R-QUIK

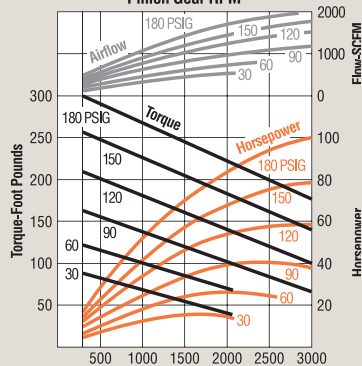
LS-60/61 SERIES

**FOR ENGINES UP TO 12,900 CID (211.4 LITERS) DIESEL
AND 20,000 CID (327.7 LITERS) CARBURETED.**

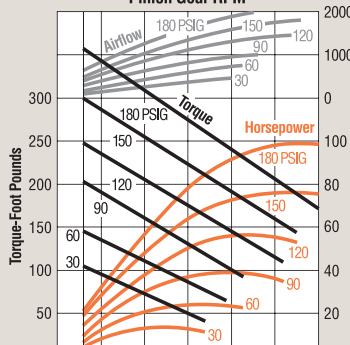
- High-strength, lightweight components.



**Model LS-60 (2.19 Gear Ratio)
Horsepower-Torque & Airflow
vs
Pinion Gear RPM**

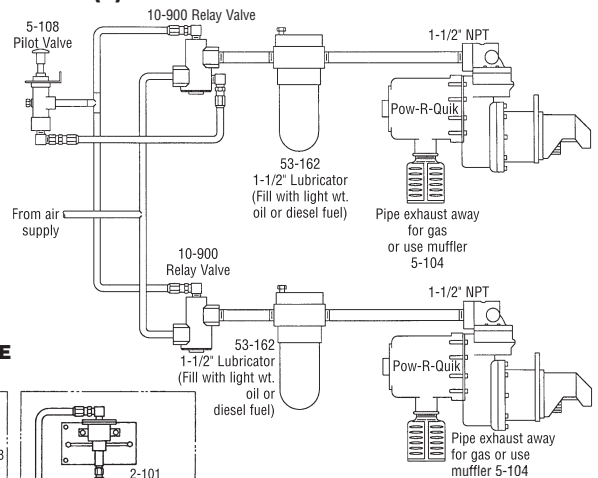


**Model LS-61 (2.64 Gear Ratio)
Horsepower-Torque & Airflow
vs
Pinion Gear RPM**

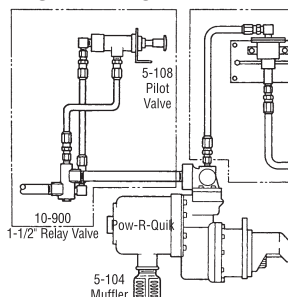


Installation

TWO (2) STARTER INSTALLATION



TYPICAL DIESEL ENGINE INSTALLATION



TYPICAL NATURAL GAS ENGINE INSTALLATION

