

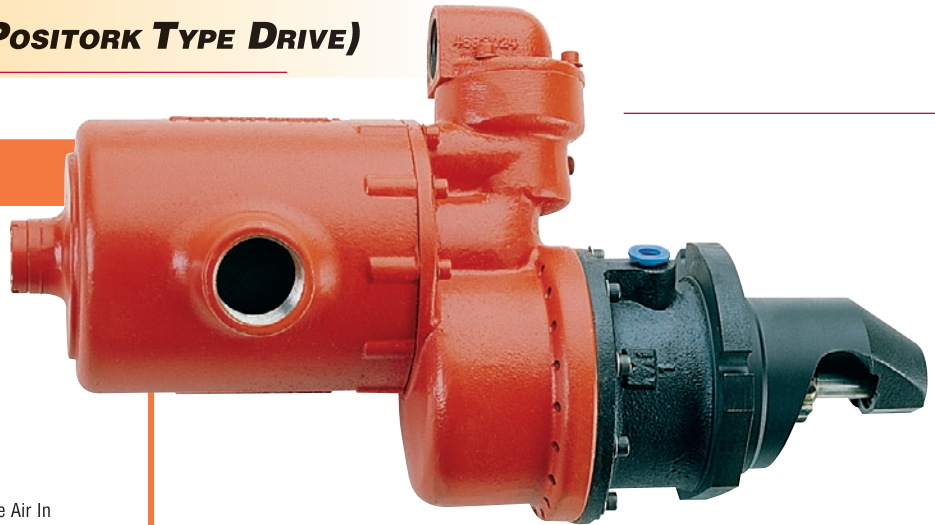
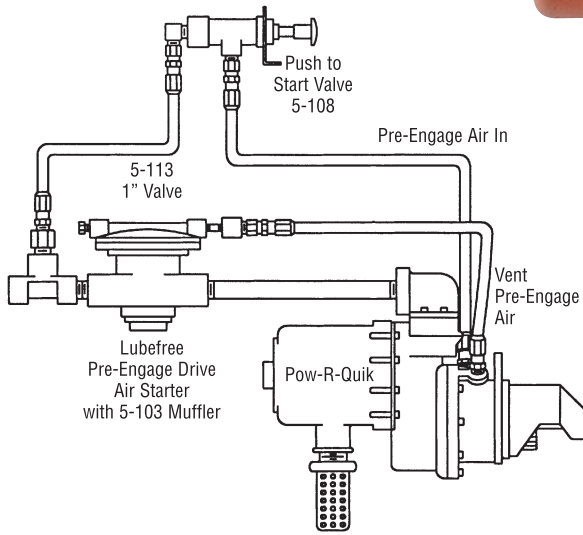
-23/24 SERIES

FOR ENGINES UP TO 1,500 CID (24.5 LITERS) DIESEL AND 3000 CID (49 LITERS) CARBURETED.

PRE-ENGAGED (POSITORK TYPE DRIVE)

Installation

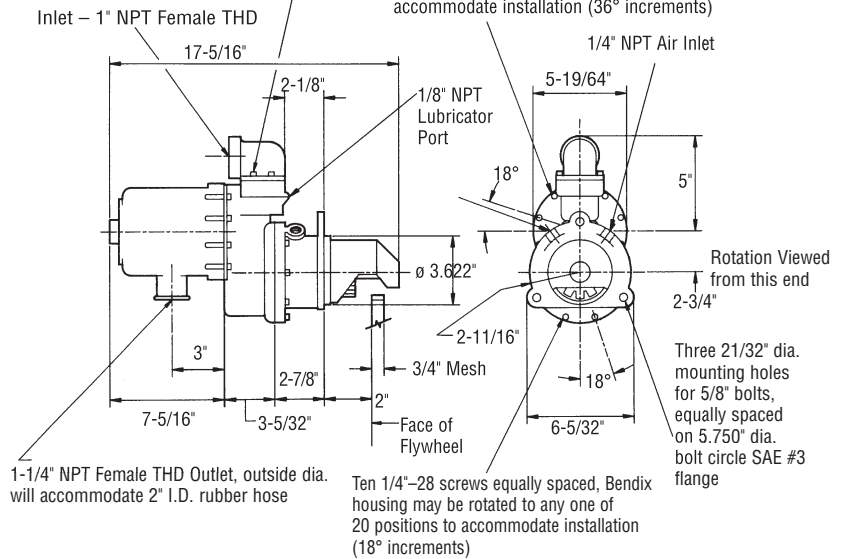
TYPICAL DIESEL ENGINE INSTALLATION



Four 1/4"-28 screws, inlet adaptor may be rotated to any one of 12 positions to accommodate installation (30° increments)

* A shorter drive housing is also available

Six 1/4"-28 screws, gear housing may be rotated to any one of 10 positions to accommodate installation (36° increments)



Model LS-24 (3.36 Gear Ratio)
Horsepower-Torque & Airflow
vs
Pinion Gear RPM

