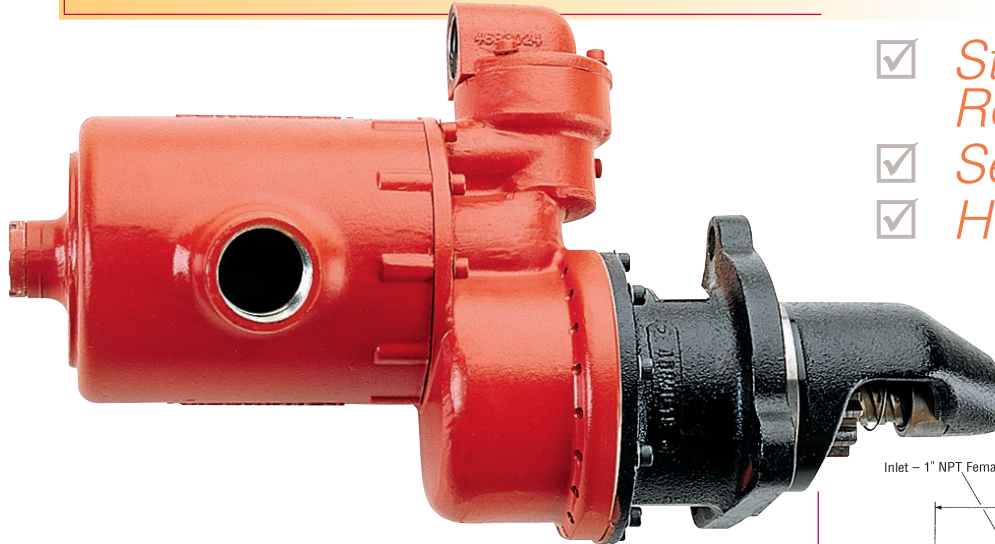


ARR Pow-R-Quik

LS

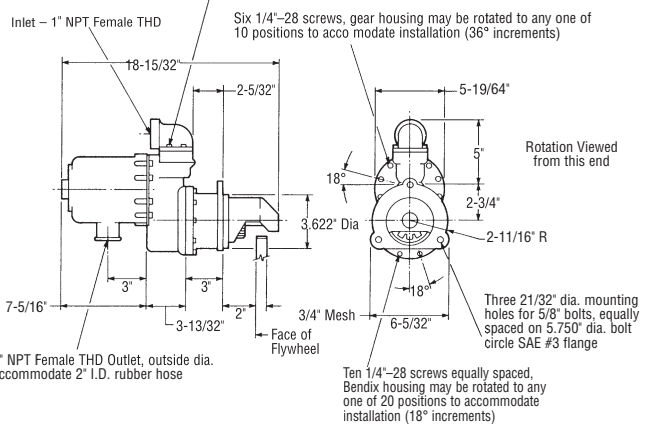
INERTIA DRIVE (FRICTION CLUTCH)



- ✓ *Stainless Steel Rotor Casing*
- ✓ *Sealed Thrust Bearings*
- ✓ *High Tech Vanes*

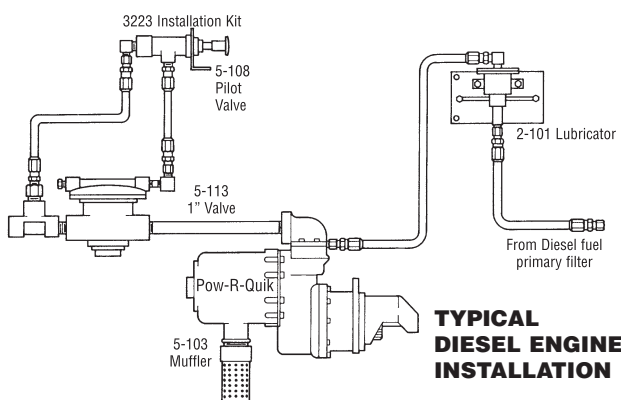
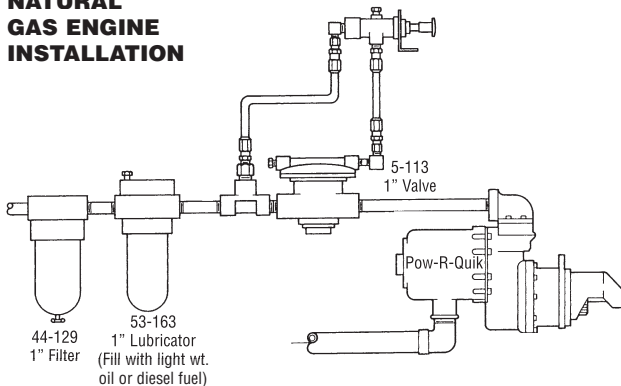
Four 1/4"-28 screws, inlet adaptor may be rotated to any one of 12 positions to accommodate installation (30° increments)

* A shorter drive housing is also available



Installation

TYPICAL NATURAL GAS ENGINE INSTALLATION



TYPICAL DIESEL ENGINE INSTALLATION

Model LS-23 (2.81 Gear Ratio) Horsepower-Torque & Airflow vs Pinion Gear RPM

