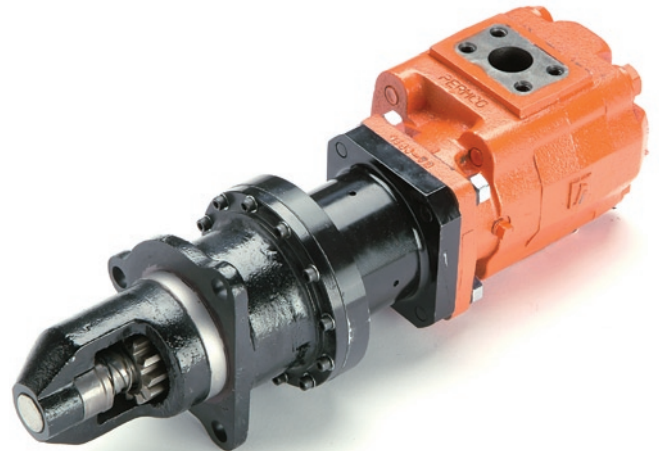
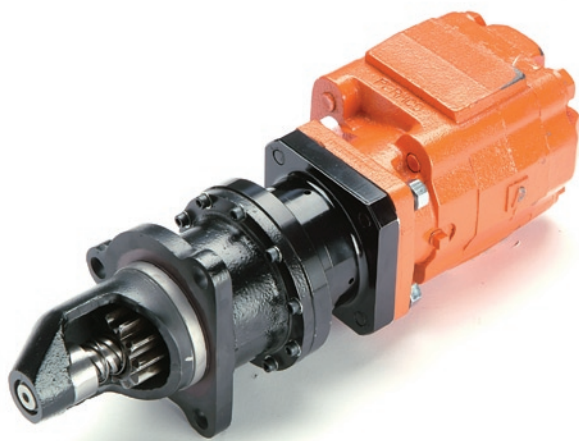


PRQ Pow-R-Quik

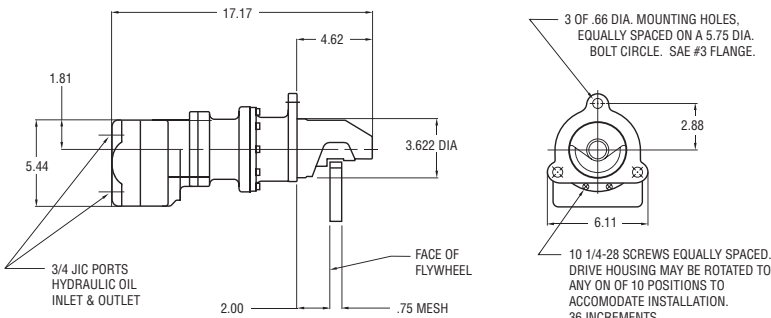
HS-223/360 Gear Type Hydraulic Starters



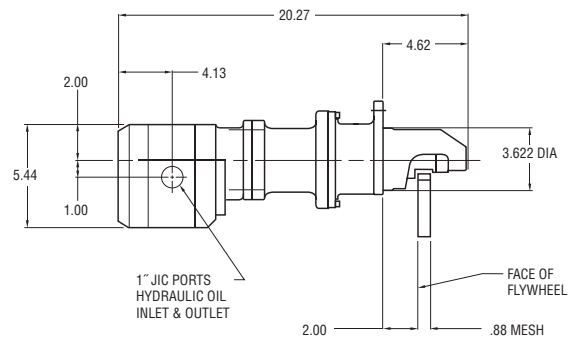
Friction Clutch Inertia Drives

THESE STARTERS ARE ADAPTED FROM PRQ'S 23/24 AND 60/61 SERIES AIR STARTERS. THEY CAN BE PURCHASED WITH OR WITHOUT MOTORS. BOTH USE FRICITON CLUTCH STARTER DRIVES.

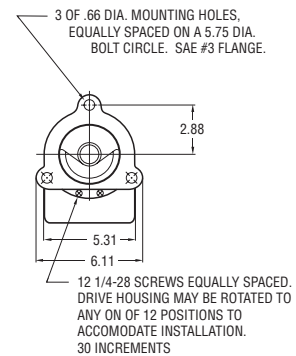
HS-223 Series



Weight: 52 lbs.



HS-360 Series



Weight: 72 lbs.

