

Hourmeters



TM Series

- 2 in. (51 mm) Diameter Dial
- Tamperproof and Environmentally Sealed
- Mechanical Counter—No Battery Needed to Maintain Elapsed Time
- Reversed Polarity Protected
- Quartz-Crystal Time Base for Accurate Long-Term Timekeeping
- Powered by 12 to 24 VDC

Description

The TM Series hourmeters record the operating time of vehicles or powered equipment. They are electromechanical and have a quartz base time counter that insures accuracy (better than $\pm 0.02\%$ over the entire range). They can record up to 99,999.9 hours (9,999.9 for TM612/624) and include an automatic recycle to zero hours feature. The TM Series models have a shock-proof and tamperproof, totally sealed case made of an engineered plastic. These small, light weight time meters are rugged and durable. They are the answer to applications requiring a low DC power, reliable hourmeter.

The TM612/624 model includes a 3-hole mounting shock ring for extreme-shock protection.

Basic Models

6-Digits Hourmeters

Model	Bezel Type
TM4592	Bright Stainless Steel Bezel
TM4593	Black Stainless Steel Bezel
TM4594	SAE Bright Stainless Steel Bezel
TM4595	SAE Stainless Steel Black Bezel

5-Digits Hourmeter with Shock Ring Mounting

TM612/624	3-Hole Mount, Black Bezel
-----------	---------------------------

Applications

These hourmeters can be used on any engine where operating time needs to be recorded. All it requires is a DC power source (refer to Specifications, at right).

Outstanding Features

- Solid-State Electronic Drive Circuit
- Quartz-Crystal for Accurate Timing
- Quiet Operation—Permanently Lubricated
- High-Impact, Tamperproof Plastic Case
- Sealed Against Moisture and Dirt
- Indicates Operating Time in Hours and Tenths
- No Battery Back Up Required
- Made in the U.S.A.



Specifications

Power Input: 12 to 24 VDC

Power Consumption: Less than 0.03 W @ 12 VDC; 0.4 W @ 24 VDC.

Accuracy: $\pm 0.02\%$ over entire range.

Temperature Range:
-40°F to 185°F (-40°C to +85°C).

Dial (Face Plate): White numerals (over black background).

Time Scale:

TM4592-95 models: 6-digits 99,999.9 hours;

TM612/624 models: 5-digits 9,999.9 hours.

Automatic recycle to zero.

Vibration Resistance: Withstands 10 to 75 Hz @ 1 to 8 G's.

Case Material: Plastic.

Bezel: Stainless Steel.

Terminations: 1/4 in. (6 mm) male blade terminals.

TM4592/4595 Shipping Weight: 5 ozs. (140 g).

Shipping Dimensions: 3-1/8 x 3 x 3 in. (79 x 76 x 76 mm) approximately.

TM612/624 Shipping Weight: 8 ozs. (230 g).

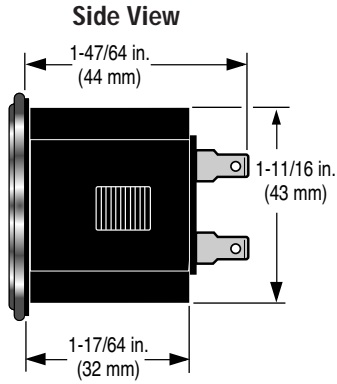
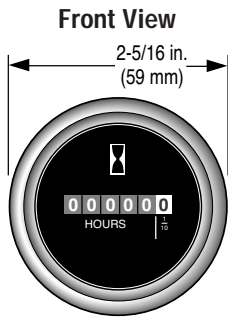
TM612/624 Shipping Shipping Dimensions: 5 x 5 x 3-1/4 in. (127 x 127 x 83 mm) approx.

Warranty

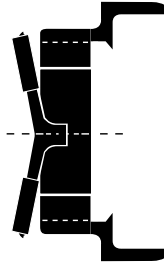
A limited warranty on materials and workmanship is given with this FW Murphy product. A copy of the warranty may be viewed or printed by going to www.fwmurphy.com/support/warranty.htm

* Products covered by this bulletin comply with EMC Council directive 89/336/EEC regarding electromagnetic compatibility except as noted. The CE mark does not apply to the TM612 and TM624 models.

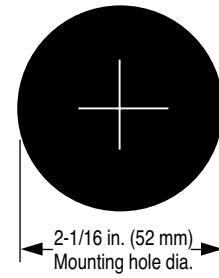
TM4592-TM4595 Models



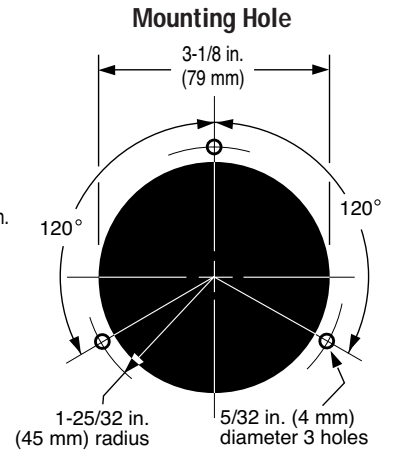
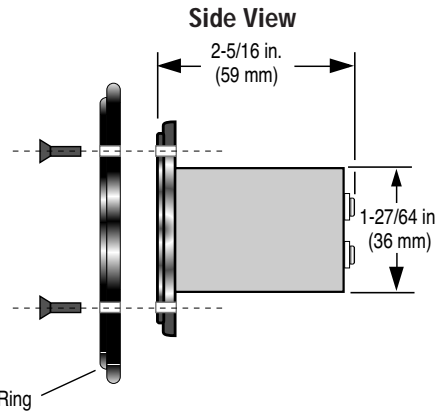
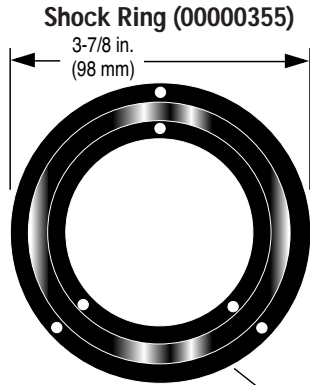
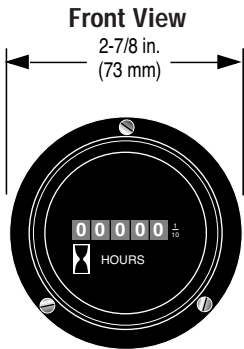
Push-On Mounting Ring



Mounting Hole

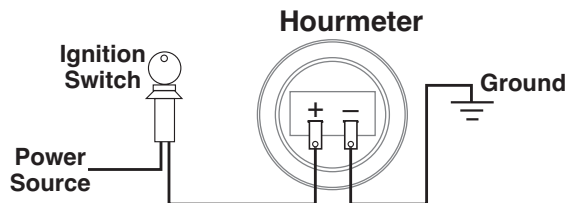
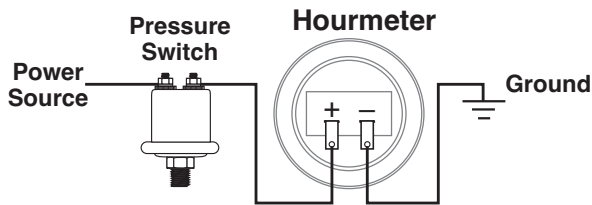


TM612/624 Model with Shock Ring



Typical Wiring Diagrams

WARNING: Turn the power source OFF before wiring.



How to Order

Example: **TM4592**

Model Designation

Model	Description
TM4592	6-digits w/Bright Stainless Steel Bezel
TM4593	6-digits w/Black Stainless Steel Bezel
TM4594	6-digits w/SAE Bright Stainless Steel Bezel
TM4595	6-digits w/SAE Stainless Steel Black Bezel
TM612/624	5-digits w/Shock Ring Mount Black Bezel
00000355	Shock Ring only for TM612/624

MURPHY

www.fwmurphy.com

918.317.4100 Email: sales@fwmurphy.com

In order to consistently bring you the highest quality, full featured products, we reserve the right to change our specifications and designs at any time. MURPHY, the Murphy logo are registered and/or common law trademarks of Murphy Industries, Inc. This document, including textual matter and illustrations, is copyright protected by Murphy Industries, Inc., with all rights reserved. (c) 2006 Murphy Industries, Inc.