

Digital Tachometer and Hourmeter With Adjustable Overspeed Set Point

MTH-96115B
Revised 02-04
Catalog Section 20
(00-02-0777)



Model MTH6

- Tachometer and Hourmeter With Overspeed Shutdown or Alarm Switch
- 3-1/2 Inches (89 mm) Diameter Dial
- Reads RPM Data from a Magnetic Pickup or Battery Charging Alternator
- Powered by 8 to 40 VDC
- Large 5-Digit LCD Display
- Maintains Hours Count When Power Is Lost
- Front Panel Programming
- Hours Can Be Reset to Zero

Description

This microprocessor-based digital tachometer and hourmeter with a built-in overspeed switch is highly accurate and dependable. It measures speed and running hours and can give an alarm or shut down the engine on overspeed.

The MTH6 case is polycarbonate, and its dial measures 3-1/2 in. (89 mm) in diameter.

RPM data for the tachometer and overspeed switch is supplied by a magnetic pickup or battery charging alternator. The magnetic pickup is installed into the flywheel housing of an internal combustion engine. The starter ring gear acts upon the magnetic pickup to generate a voltage pulse each time a gear tooth passes the end of the sensor.

Applications

- Industrial Engines
- Marine Engines
- Generators
- Vehicles
- Compressors
- Farm Equipment
- Oil Field Equipment
- Construction Equipment

Basic Operation

During normal operation, the MTH6 displays RPM. Its five-digit, liquid crystal display is updated every second. When the MTH6 is displaying hours and a speed signal is present, the far left digit and decimal point will flash indicating the hourmeter is operating.

The overspeed set point and running hours can be viewed by manipulating three membrane switches located on the MTH6 front panel.

When the overspeed set point is met an LED, also located on the front panel, lights.

Easy-Calibration

The MTH6 calibration is simple. The operator enters the number of pulses per engine revolution and the overspeed set point value using the membrane-switches located on the front of the MTH6.

Specifications

Power Requirements:
8-40 VDC (12, 24 or 32 VDC systems).

Maximum Current:
12 VDC: 0.011 A, backlight Off;
0.025 A, backlight On.

24 VDC: 0.008 A, backlight Off;
0.015 A, backlight On.

32 VDC: 0.007 A, backlight Off;
0.010 A, backlight On.

Operating Temperature: -4° to 158°F
(-20° to 70°C).

Storage Temperature: -40° to 185°F
(-40° to 85°C).

Case: 1018 Polycarbonate/Polyester blend.

Mounting Hole Dim.: 3-3/8 in. (86 mm)
Dia.

Speed Input: 4.5 Vrms minimum.

Overspeed Switch Rating: 2 A, 50 VDC.

Overspeed Range: 0 to 9000 RPM.

Pulses per Revolution: 4 to 255.

Tachometer Range: 0 to 65,535 RPM.

Tachometer Accuracy: ±1% of the display
reading or -2 RPM whichever is greater.

Input Frequency Range: 25 Hz to 20 kHz.

Hourmeter Range: 0 to 99999 hrs.

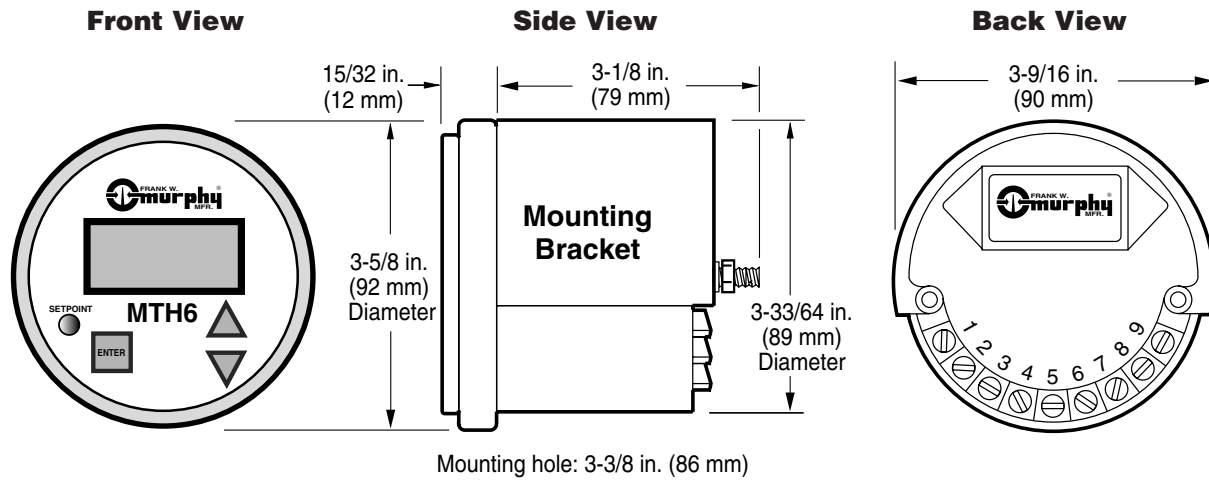
Hourmeter Resolution: ±0.1 Hour up
to 9999.9; ±1 hour 10,000 and up.

Reset Hourmeter: Apply temporary ground to
terminal #5 to reset hours to zero.

Shipping Weight: 14 oz. (435 g).

Shipping Dimensions: 5-1/2 x 5-1/2 x
5-1/2 in. (140 x 140 x 140 mm).

Dimensions



How to Order

Order by model designation:

MTH6 - -

Face Plate:

1 = White Background

Bezel:

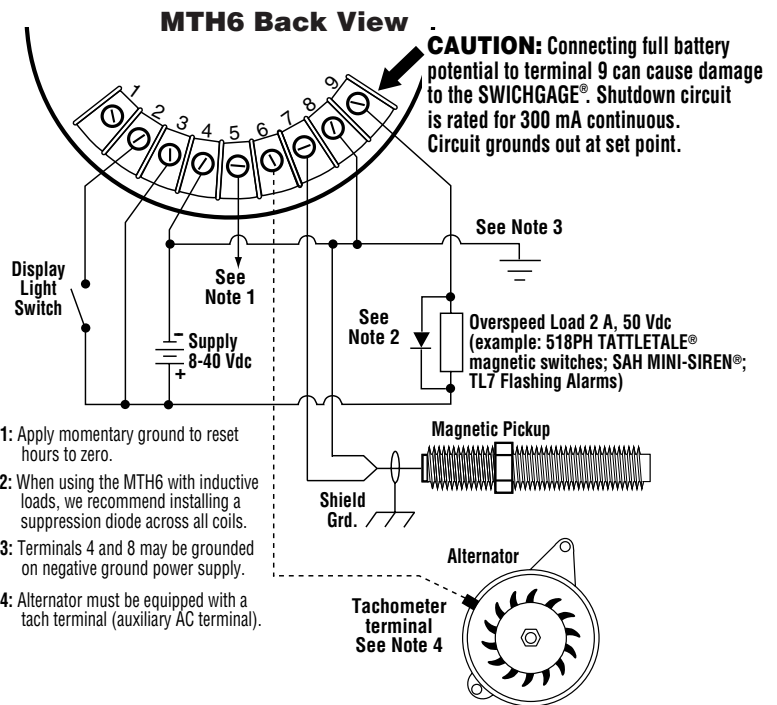
Blank = Bright Stainless

A = Black Stainless

Warranty

A limited warranty on materials and workmanship is given with this FW Murphy product. A copy of the warranty may be viewed or printed by going to www.fwmurphy.com/support/warranty.htm

Typical Wiring Diagram



- NOTE 1:** Apply momentary ground to reset hours to zero.
- NOTE 2:** When using the MTH6 with inductive loads, we recommend installing a suppression diode across all coils.
- NOTE 3:** Terminals 4 and 8 may be grounded on negative ground power supply.
- NOTE 4:** Altorator must be equipped with a tach terminal (auxiliary AC terminal).

Find us on the internet: <http://www.fwmurphy.com>



FW Murphy
 P.O. Box 470248
 Tulsa, Oklahoma 74147 USA
 +1 918 317 4100
 fax +1 918 317 4266
 e-mail sales@fwmurphy.com
www.fwmurphy.com

CONTROL SYSTEMS & SERVICES DIVISION
 P.O. Box 1819; Rosenberg, Texas 77471; USA
 +1 281 633 4500 fax +1 281 633 4588
 e-mail sales@fwmurphy.com

MURPHY DE MEXICO, S.A. DE C.V.
 Blvd. Antonio Rocha Cordero 300, Fracción del Aguaje
 San Luis Potosí, S.L.P.; México 78384
 +52 444 8206264 fax +52 444 8206336
 Villahermosa Office +52 993 3162117
 e-mail ventas@murphymex.com.mx
www.murphymex.com.mx

FRANK W. MURPHY, LTD.
 Church Rd.; Laverstock, Salisbury SP1 1QZ; U.K.
 +44 1722 410055 fax +44 1722 410088
 e-mail sales@fwmurphy.co.uk
www.fwmurphy.co.uk

MURPHY SWITCH OF CALIFORNIA
 41343 12th Street West
 Palmdale, California 93551-1442; USA
 +1 661 272 4700 fax +1 661 947 7570
 e-mail sales@murphyswitch.com
www.murphyswitch.com

MACQUARRIE CORPORATION
 1620 Hume Highway
 Campbellfield, Vic 3061; Australia
 +61 3 9358 5555 fax +61 3 9358 5558
 e-mail murphy@macquarrie.com.au



In order to consistently bring you the highest quality, full featured products, we reserve the right to change our specifications and designs at any time.

Printed in U.S.A.