

# Temperature Scanner/Pyrometer SWICHGAGE®

FWMurphy

## Model TDX6



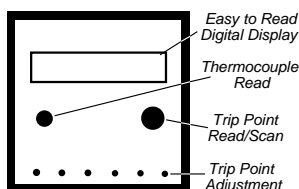
- Scans 6 Channels
- Adjustable Trip Points
- “J” or “K” Thermocouples
- Powered by CD Ignition, 24 VDC, or 120 VAC
- Rated for Class I, Division 2, Group D Hazardous Areas
- Start-up Time Delay
- Easy to Read Digital Display

\* When used with approved ignition. Contact Murphy for details.

\*\* When used with power requirements described below.

### Description

The TDX6 is an advanced design 6-point temperature scanner and pyrometer. It continually scans up to six thermocouples and sequentially displays the thermocouple number and its reading. Each sensor input has a field settable trip point for alarm, shut-down or control. A read/scan selector allows the operator to set and view each trip point. With the selector in the scan mode, a “thermocouple read” push button provides a means to manually toggle through the six channels and to lock in on a specific channel. Normal scanning will resume approximately three seconds after releasing the push button. All trip points are continually armed and active during the scanning process.



Type “J” or “K”, grounded† or ungrounded thermocouples are accommodated. Other types are available upon request.

The TDX6 can interface with other Murphy SELECTRONIC® TATTLETALE® annunciators and Micro-controllers. It is rated for Class I, Division 2, Group D, hazardous areas\* and is available for operation from CD ignition, 120 VAC, or 24 VDC.

### Applications

- Gas Compressor Suction/Discharge Temp.
- Engine/Compressor Jacket Water Temperature
- Process Temperatures
- Generators
- Pumps
- Engine Exhaust Temperature

### Features

- Monitors six (6) input sensors
- Accepts type “J” or “K” thermocouples grounded† or ungrounded
- Field adjustable trip points
- LCD display in either °F or °C (specify)
- One thermocouple maybe selected for continuous display
- CD ignition, 24 VDC, or 120 VAC powered
- No special training or programming required
- Scans all 6 sensors in 30 seconds

### Specifications

**Power Requirements (Operating Voltages):** 120 VAC or 80-250 VDC, CD ignition or 24 VDC.

#### Outputs:

Models TDX6-A and TDX6-C: Six (6) isolated Silicon Controlled Rectifier (S.C.R.) outputs; 0.5 A @ 250 VDC; switches on (applies ground) above trip point and switches off (removes ground) when power is switched off.

Models TDX6-B and TDX6-D: Six (6) isolated Field-Effect Transistor (F.E.T.) outputs; 0.1 A @ 250 VDC; switches on (applies ground) above trip point and switches off (removes ground) below trip point.

**Operating Temperature:** -4 to 158°F (-20 to 70°C).

**Storage Temperature:** -40 to 300°F (-40 to 150°C).

**Case:** ABS 1/4 DIN (90 x 90 mm).

**Scanning Speed:** Complete scan in 30 seconds.

**Reset Differential:** F.E.T. models: Decreases 3 Degrees (°F or °C). S.C.R. models: Turn input power off to reset.

**Display Update Time:** Updates temperature every 0.3 seconds.

**Start-up Time Delay:** Unit is locked out for 10 seconds after ignition voltage is sensed.

**Ambient Cold Junction Compensation Range:**

2°F from 32°F to 122°F (1°C from 0°C to 50°C).

**Measurement Range:** Monitor Range 0-1999°F or °C (specify °F or °C in part number).

#### Accuracy:

With J-type thermocouple: from 50-150°F (10-66°C) +3°F (+2°C), from 150-1200°F (66-649°C) ±1.0% of reading.

With K-type thermocouple: from 400-2000°F (204-1076°C) ±1.0% of reading.

**Trip Point Accuracy:** ±3°F (±2°C) of reading.

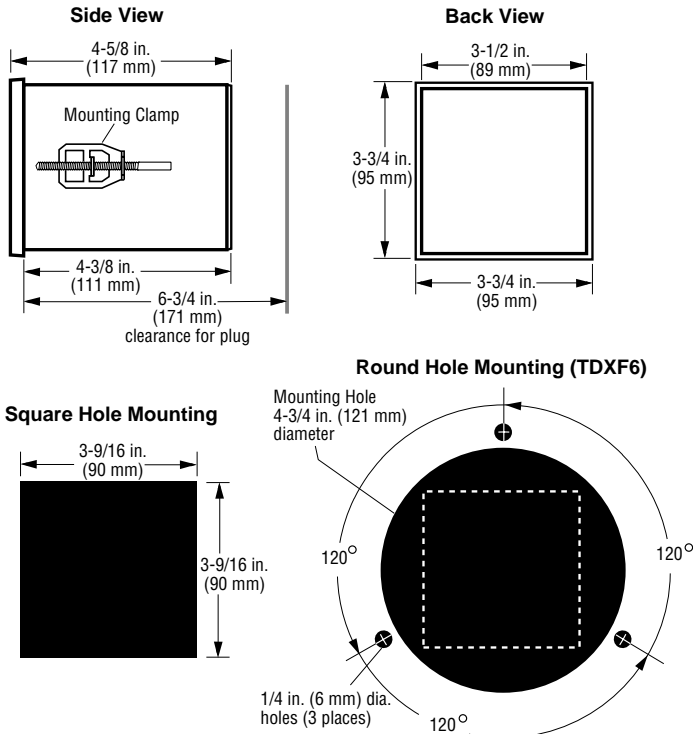
**Trip Point Adjustment Range:** 0-1999 Degrees.

**Open Thermocouple Input:** A number 1 appears in the display to the right of the channel number and the trip point operates.

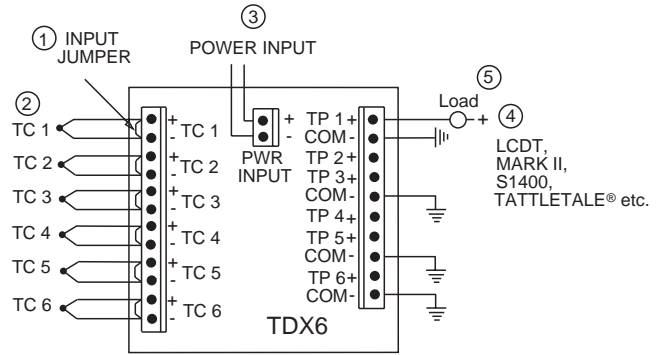
† Using grounded thermocouples introduces the risk of odd currents or voltages being imposed on the thermocouple signal which can affect the accuracy of the reading. This is an inherent problem of grounded thermocouples, the reason why we prefer ungrounded thermocouples.



## Dimensions



## Typical Wiring Diagram

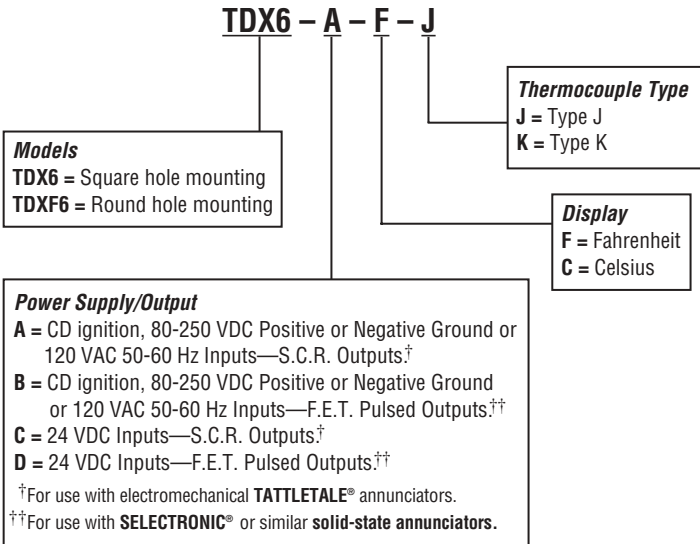


### NOTES:

- ① Remove input jumper when the thermocouple is connected to input.
- ② Thermocouple Input
- ③ Power input 120 VAC, 80-250 VDC, CD ignition or 24 VDC, positive or negative ground.
- ④ Interfaced components must meet area classification requirements.
- ⑤ When using the TDX6 with inductive loads, we recommend installing a suppression diode across all coils.

## How to Order

To order the TDX6 use the part number designation diagram below.



**Shipping Weight:** 2 lb. (0.91 kg).

**Shipping Dimensions:** 5-1/2 x 9 x 6 in. (140 x 229 x 152 mm).

## TDX6 Interface Capabilities

Model	Power Source	Rating
LCDT	CD Ign., 120 VAC, 12/24 VDC	Cl.I, Div.1, Gr.D, Haz. areas*
S1501	120 VAC or 12/24 VDC	Cl.I, Div.1, Gr.D, Haz. areas*
MARK II	CD Ignition, pos. or neg. grnd	Cl.I, Div.2, Gr.D, Haz. areas*
TATTLETALE®	CD Ign., 120 VAC, 12/24 VDC	Non-Hazardous areas

PLC's, various non-Murphy annunciators—contact factory.

\*Note: An isolation barrier is needed between the TDX6 and an Annunciator rated for Class I, Division 1, Group D, Hazardous Areas.

\*\*Note: When used with approved ignition. Contact Murphy for details.

## Warranty

A two-year limited warranty on materials and workmanship is given with this Murphy product. Details are available on request and are packed with each unit.

**murphy**  
**FWMurphy**  
 P.O. Box 470248  
 Tulsa, Oklahoma 74147 USA  
 (918) 317-4100  
 fax (918) 317-4266  
 e-mail sales@fwmurphy.com  
 www.fwmurphy.com

**CONTROL SYSTEMS & SERVICES DIVISION**  
 P.O. Box 1819; Rosenberg, Texas 77471; USA  
 (281) 342-0297 fax (281) 341-6006  
 e-mail sales@fwmurphy.com

**MURPHY DE MEXICO, S.A. DE C.V.**  
 Blvd. Antonio Rocha Cordero 300, Fracción del Aguaje  
 San Luis Potosí, S.L.P.; México 78384  
 +52-444-8206264 fax +52-444-8206336  
 Villahermosa Office +52-993-3162117  
 e-mail ventas@murphymex.com.mx  
 www.murphymex.com

**FRANK W. MURPHY, LTD.**  
 Church Rd.; Laverstock, Salisbury SP1 1QZ; U.K.  
 +44 1722 410055 fax +44 1722 410088  
 e-mail sales@fwmurphy.co.uk  
 www.fwmurphy.co.uk

**MURPHY SWITCH OF CALIFORNIA**  
 41343 12th Street West  
 Palmdale, California 93551-1442; USA  
 (661) 272-4700 fax (661) 947-7570  
 e-mail sales@murphyswitch.com  
 www.murphyswitch.com

**MACQUARRIE CORPORATION**  
 1620 Hume Highway  
 Campbellfield, Vic 3061; Australia  
 +61 3 9358-5555 fax +61 3 9358-5558  
 e-mail murphy@macquarrie.com.au

