

# PowerView™ - Model PV101



## Features

- For modern electronic engines and equipment applications using SAE J1939 Controller Area Network
- Displays over 50 standard SAE J1939 parameters broadcast by engine and transmission ECU's
- Displays active and ECU-stored faults with text description for diagnosing equipment malfunctions.
- Simple connection to optional components

The **PowerView Model PV101**, Murphy's powerful display in the J1939 MurphyLink® family of components, provides a window into modern electronic engines and transmissions.

The PV101 display is a multifunction tool which enables equipment operators to view many standard engine and transmission parameters as well as active and stored trouble codes. The display can show either a single parameter or a quadrant display showing four parameters simultaneously. Diagnostic capabilities include codes with text translation for the most common fault conditions. The enhanced alarm indication has ultra-bright alarm and shutdown LEDs (amber and red).

The PV101 has been enhanced with new features including:

- **Multiple language options** – Russian, Chinese, and Japanese models have been added to the line of existing languages (English, Spanish, French, German, and Italian).
- **Fuel Sender Input** – select between backlight dimmer function or fuel level. Can be calibrated to use non-Murphy fuel senders.
- **Service Reminders** – 5 service reminders allow users to set hours for: Change Engine Oil, Change Air Filters, Change Hydraulic Oil, Service Engine, and Service Machine.
- **Select Source Address** – select the exact address the PV101 will claim on the Bus.
- **Select CANBUS Data Rate** – allows user to select CANBUS data rate.

The PV101 display is compatible with all our current J1939 gages, as well as additional J1939 I/O modules. It is also fully backward compatible with it's predecessor, the PV100.

Other components in the MurphyLink system include micro-processor-based PowerView Analog Gages for displaying critical engine data broadcast by an electronic engine or transmission's Engine Control Unit (ECU); engine RPM, oil pressure, coolant temperature, system voltage, and a combination audible alarm and relay unit for warning and shutdown annunciation. Up to 32 components may be linked to the PowerView using a simple daisy chain wire connection scheme using RS485. The PowerView and all connected components can be powered by either 12 or 24-volt systems.

## Display Parameters

The following are some of the engine and transmission parameters displayed by the PowerView (when applicable, consult engine or transmission manufacturer for SAE J1939 supported parameters). The PowerView can display these parameters in all available languages, as well as in English or Metric units.

- |                                    |                                   |   |
|------------------------------------|-----------------------------------|---|
| • Engine RPM                       | • Oil Pressure                    | • Transmission Oil Temperature          |
| • Engine Hours                     | • Fuel Economy                    | • Transmission Gear Position            |
| • Fuel Rate                        | • Throttle Position               | • Active Service Codes                  |
| • System Voltage                   | • Engine Manifold Air Temperature | • Stored Service Codes (when supported) |
| • % Engine Load at the Current RPM | • Current Fuel Consumption        | • View Engine Configuration Parameters  |
| • Coolant Temperature              | • Transmission Oil Pressure       |   |
| • Catalyst Level                   | • NMEA 2000 GPS Parameters        |   |

## Specifications

### Operating Voltage

- 6.5 VDC minimum to 32 VDC maximum
- 8 VDC minimum to 32 VDC maximum with optional PVM gages

**Reversed Polarity:** Withstands reversed battery terminal polarity indefinitely within operating temperatures.

### Environmental

**Operating Temperature:** -40 to +85°C (-40° to +185°F)

**Display Viewing Temperature:** -29 to +85°C (-20° to +185°F)

**Storage Temperature:** -40 to 85°C (-40° to +185°F)

**Environmental Sealing:** IP68, ±5 PSI (± 34.4 kPa)

### Power Supply Operating Current

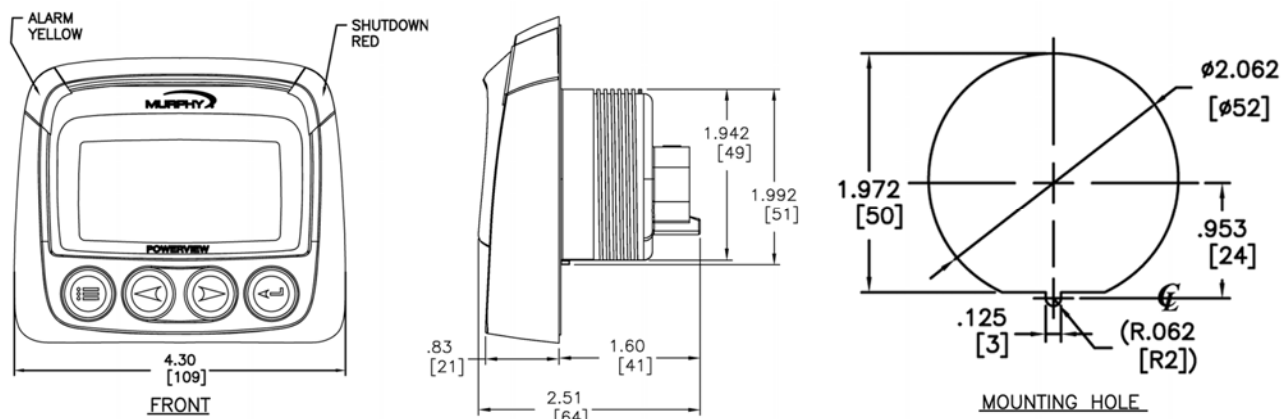
- (@ 14VDC) 52 mA min; 300 mA max
- (@ 32VDC) 1A max (with LCD heater)

**CAN Bus:** SAE J1939 compliant

**Case:** Polycarbonate / polyester

**Maximum Panel Thickness:** 3/8 inch (9.6 mm)

## Product Dimensions



## How to Order

Part Number	Model Number	Description	Languages Available
78700244	PV101-A	Murphy Standard	English, Spanish, French, Italian, German
78700396	PV101-A-M01	Murphy Standard Russian	English, Russian, French, German, Spanish
78700409	PV101-A-M02	Murphy Standard Chinese*	English, Chinese
78700411	PV101-A-M03	Murphy Standard Japanese*	English, Japanese

\*Added features not available in these language models.

### FW MURPHY

P.O. Box 470248  
Tulsa, Oklahoma 74147 USA  
+1 918 317 4100 Fax: +1 918 317 4266  
E-mail: sales@fwmurphy.com

### INDUSTRIAL PANEL DIVISION

Fax: +1 918 317 4124  
E-mail: ipdsales@fwmurphy.com

### MURPHY POWER IGNITION

Web site: www.murphy-pi.com

### CONTROL SYSTEMS & SERVICES DIVISION

P.O. Box 1819  
Rosenberg, Texas 77471 USA  
Phone: +1 281 633 4500 Fax: +1 281 633 4588  
E-mail: css-solutions@fwmurphy.com

### FRANK W. MURPHY LTD.

Church Road, Laverstock  
Salisbury, SP1 1QZ, UK  
Phone: +44 1722 410055 Fax: +44 1722 410088  
E-mail: sales@fwmurphy.co.uk  
Web site: www.fwmurphy.co.uk

### COMPUTRONIC CONTROLS

41 - 43 Railway Terrace  
Nechells, Birmingham, B7 5NG, UK  
Phone: +44 121 327 8500 Fax: +44 121 327 8501  
E-mail: sales@computroniccontrols.com  
Web site: www.computroniccontrols.com

www.fwmurphy.com

### FW MURPHY INTERNATIONAL TRADING (SHANGHAI) CO., LTD.

Suite 1704, Tower B, City Center of Shanghai, 100 Zunyi Road  
Shanghai, 200051, China  
Phone: +86 21 6237 2082 Fax: +86 21 6237 2083  
E-mail: mhong@fwmurphy.com

### FW MURPHY INSTRUMENTS (HANGZHOU) CO., LTD.

77 23rd Street  
Hangzhou Economic & Technological Development Area  
Hangzhou, Zhejiang, 310018, China  
Phone: +86 571 8788 6060 Fax: +86 571 8684 8878



USA-ISO 9001:2000 FM 28221  
UK-ISO 9001:2000 FM 29422  
Registered Facilities

ISO 9001  
REGISTERED

Printed in U.S.A.

06/09

**Warranty** - A limited warranty on materials and workmanship is given with this FW Murphy product. A copy of the warranty may be viewed or printed by going to [www.fwmurphy.com/support/warranty.htm](http://www.fwmurphy.com/support/warranty.htm)