



If you could change anything about your display, what would it be? The shape? The inputs? The interface? How about nearly everything?



CAN-based display, with fully modular design

Customize the bezel, buttons, i/o interface and more

Configuration software for OEMs available

Bonded LCD screen, viewable in direct sunlight

Rugged/Reliable Design

Endless possibilities

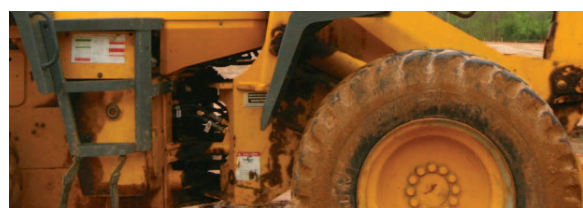
The PowerView 750 display features a fully modular design. Any of the major components can be redesigned and assembled to meet your exact needs. It's an incredible amount of customization with minimal non-recurring engineering costs.

You can change the shape of the bezel and buttons. You can rework the i/o board to add extra input. You can add custom graphics and company branding to the interface.

The PowerView 750 display also has configuration software for OEMs available, so you can continue to make quick and easy changes to the onscreen display.

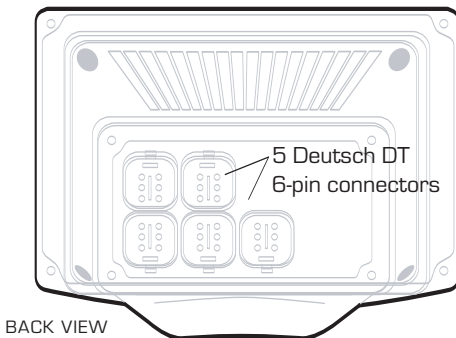
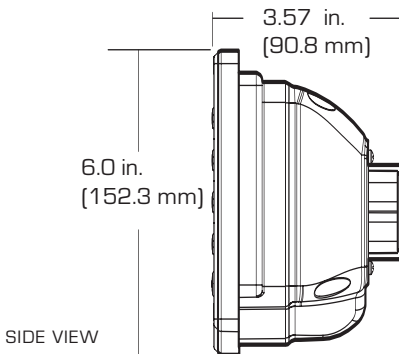
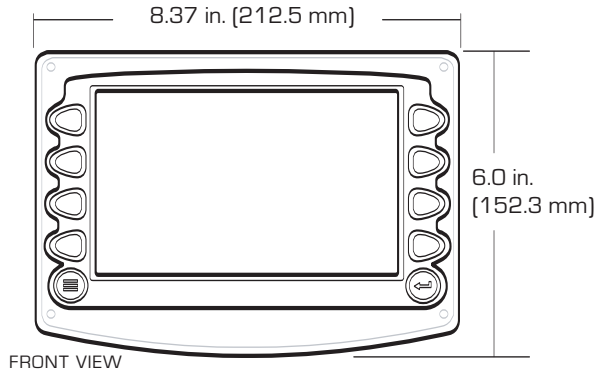
The PowerView 750 display is also highly durable. See the full specs on the back of this sheet for a full overview of its technical features.

THE POWERVIEW™
750



THE POWERVIEW™ 750

STANDARD DIMENSIONS



TECHNICAL SPECS

- Display: 7"/178mm color transmissive TFT LCD
- Resolution: WVGA, 800 x 480 pixels, 16-bit color
- Aspect Ratio: 16:9
- Orientation: Landscape or portrait
- Backlighting: LED, 400-500 cd/mC (50,000 h lifetime)
- Microprocessor: Freescale iMX.31 32bit, 400MHz
- QNX Operating System
- Flash Memory: 2 GB
- RAM: 128 Mbytes SDRAM
- SD storage (optional): for program updates, map data, diagnostic data storage
- Operating Voltage: 6-35 VDC, protected against reverse polarity and load-dump
- Power Consumption: 10w full backlight; 22w full backlight with heater (< -10°C)
- CAN: 3 CAN ports according to CAN specification 2.0B; one port isolated according to NMEA 2000 (GPS)
- RS 485: 1 MODBUS Master port
- Video input: optional NTSC/PAL
- Protocols: J1939, NMEA 2000 (GPS) CANOpen protocol support coming soon
- Connection: 5 Deutsch DT 6-pin connectors
- Keyboard: 10 tactile buttons
- USB 2.0 host (full speed)
- Inputs: (3) 0-5 VDC analog inputs, (1) input configurable to support measurement frequencies from 2 Hz-10 kHz and PWM values from 0-100% duty cycle
- Output: Digital, capable of sinking 500mA

MECHANICAL SPECS

- Dimensions: 8.37 x 6.0 in. (212.5 x 152.3 mm) landscape
- Unit depth: 3.57 in. (90.8 mm)
- Case material: Polycarbonate back case

ENVIRONMENTAL SPECS

- Operating Temperature: -40° C to +85° C
- Storage Temperature: -40° C to +85° C
- Protection: IP67, front and back
- Emissions: IEC 60945, 95/54/EC
- Immunity: SAE J1113, ISO 11452
- Vibration: Random vibration, 7.86 Grms (5-2000 Hz), 3 axis
- Shock: +/- 50G in 3 axis

FW MURPHY

P.O. Box 470248
Tulsa, Oklahoma 74147 USA
+1 918 317 4100 Fax: +1 918 317 4266
E-mail: sales@fwmurphy.com

INDUSTRIAL PANEL DIVISION

Fax: +1 918 317 4124
E-mail: ipdsales@fwmurphy.com

MURPHY POWER IGNITION

Web site: www.murphy-pi.com

CONTROL SYSTEMS & SERVICES DIVISION

P.O. Box 1819
Rosenberg, Texas 77471 USA
Phone: +1 281 633 4500 Fax: +1 281 633 4588
E-mail: css-solutions@fwmurphy.com

FRANK W. MURPHY, LTD

Church Rd Laverstock
Salisbury SP1 1QZ UK
Phone: +44 172 241 0055 Fax: +44 172 241 0088
E-mail: sales@fwmurphy.co.uk
Web site: www.fwmurphy.co.uk

COMPUTRONIC CONTROLS, LTD

41 - 43 Railway Terrace Nechells
Birmingham B7 5NG UK
Phone: +44 121 327 8500 Fax: +44 121 327 8501
E-mail: info@computroniccontrols.com
Web site: www.computroniccontrols.com

www.fwmurphy.com

FW MURPHY INSTRUMENTS (HANGZHOU) CO. LTD

77 23rd Street
Hangzhou Economic & Technological Development Area
Hangzhou, Zhejiang 310018 China
Phone: +86 571 8788 6060 Fax: +86 571 8684 8878
E-mail: apsales@fwmurphy.com



USA-ISO 9001:2000 FM 28221
UK-ISO 9001:2000 FM 29422

MURPHY

0810284T rev. 8-09 Printed in U.S.A.