

PVS-5 Power Supply – Installation Instructions

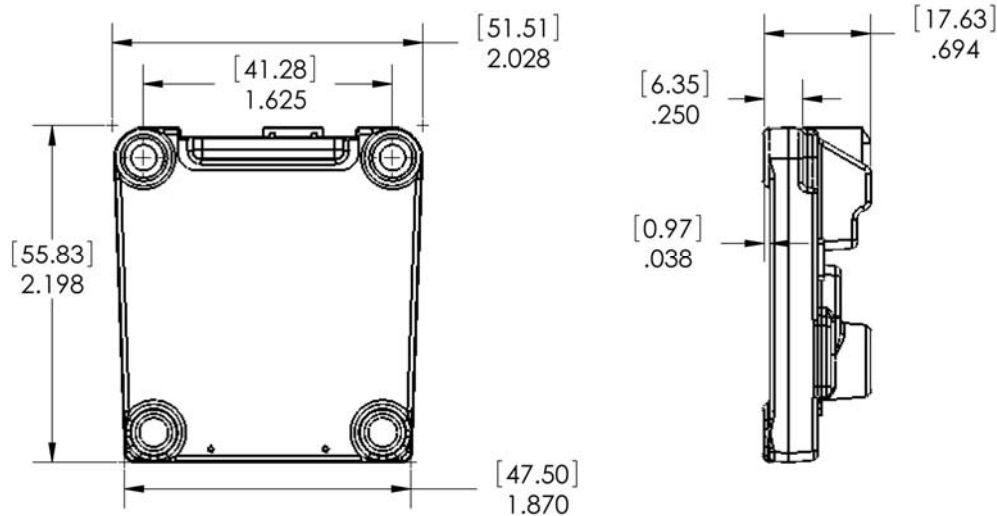


- Provides 5 Volt power supply to PVM gages
- Capable of supplying power to a maximum of 6 PVM gages
- Enables PVM gage compatibility with existing MurphyLink products
- Easy mounting and installation

External power is required to make the PVM gage line compatible with existing MurphyLink products, i.e. PV1000, Cascade, iGUARD and eGUARD. The PVS-5 power supply device supplies 5 Volts of external power and load dump protection for up to 6 PVM gages. The maximum length of the power and data connection between gages is 0.5meters (8.5 meters total).

The unit may be installed inside a panel or behind a dash.

Product Dimensions



Specifications

Input Voltage:

- 6 VDC minimum to 32 VDC maximum
- 12/24 VDC Nominal

Output Voltage: 5 VDC @ 450mA maximum

Reverse Polarity Protection: -36VDC

Overvoltage Protection: +36VDC and above

Overcurrent Protection: 600mA @ 36VDA maximum

Connector: AMP 1-770968-1

Operating Temperature: -40°F to 185°F (-40°C to +85°C)

Storage Temperature: -40°F to 221°F (40°C to +105°C)

Random Vibration: 5-2,000 Hz

Operating Shock: 50G

Certification: CE

Case Material: Polyamide

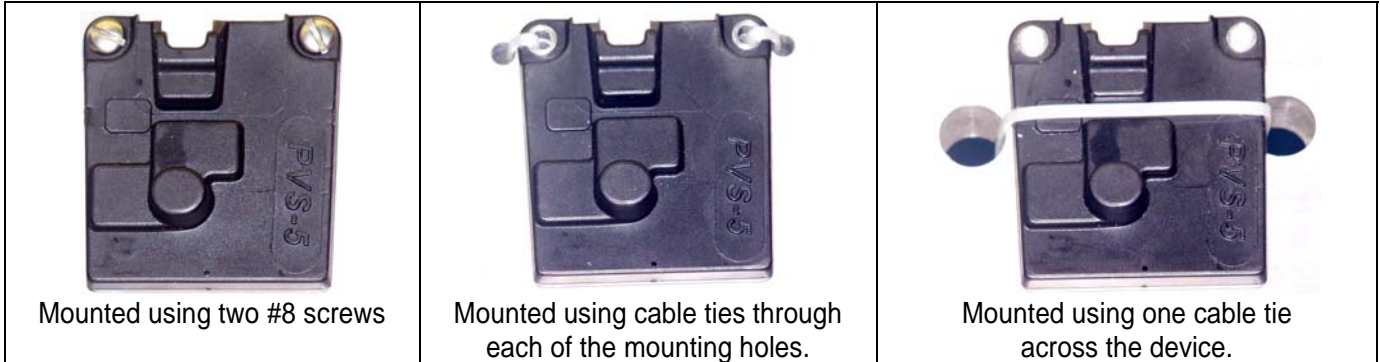
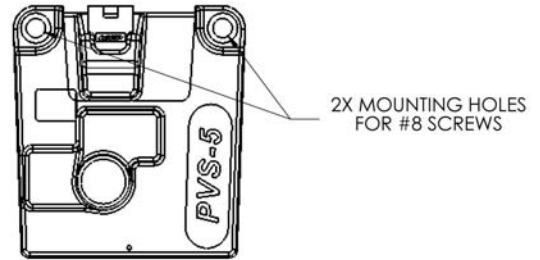
Dimensions: 2"x2"x.75"

Mounting Hole Dimensions: Two #8 screws, 1.625" offset

Mounting

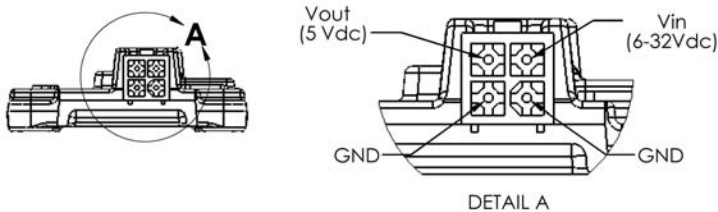
The PVS-5 can be mounted under or behind the dash using cable ties or screws. Refer to the following installation examples when mounting the power supply device.

CAUTION: The mating connector does not have a water tight seal. If the device is mounted in a location exposed to the risk of moisture, then the device should be mounted in an orientation that will protect the connector from water seepage (connector facing down) or sealed against moisture.



Wiring Diagram

The pin out information for the 4 pin connector is shown below.



Mating Connector – Tyco Electronics AMP Mini Universal Mate-N-Lok Plug Housing 4 Position, AMP P/N 172338-1
Murphy P/N 00-00-6935

Accessories

| Model | Wiring harness Rendering | Wiring Harness Designation Schematic | Part Number |
|-----------------------------------|--------------------------|--|--|
| PVWM-J PVM Gage Harness | | <p>PVWM - J - 9</p> <p>PowerView Jumper Harness</p> <p>Length: - 9 : 9 in. (229 mm) - 12 : 12 in. (305 mm) - 24 : 24 in. (607 mm)</p> | <p>78-00-0479 78-00-0490 78-00-0503</p> |

FW MURPHY

P.O. Box 470248
Tulsa, Oklahoma 74147 USA
Phone: +1 918 317 4100 Fax: +1 918 317 4266
E-mail: sales@fwmurphy.com

INDUSTRIAL PANEL DIVISION

Fax: +1 918 317 4124
E-mail: ipdsales@fwmurphy.com

MURPHY POWER IGNITION

Web site: www.murphy-pi.com

CONTROL SYSTEMS & SERVICES DIVISION

P.O. Box 1819
Rosenberg, Texas 77471 USA
Phone: +1 281 633 4500 Fax: +1 281 633 4588
E-mail: sales@fwmurphy.com

FRANK W. MURPHY, LTD

Church Rd Laverstock
Salisbury SP1 1QZ UK
Phone: +44 172 241 0055 Fax: +44 172 241 0088
E-mail: sales@fwmurphy.co.uk
Web site: www.fwmurphy.co.uk

COMPUTRONIC CONTROLS, LTD

41 - 43 Railway Terrace
Nechells, Birmingham B7 5NG UK
Phone: +44 121 327 8500 Fax: +44 121 327 8501
E-mail: sales@computroniccontrols.com
Web site: www.computroniccontrols.com

www.fwmurphy.com

FW MURPHY INSTRUMENTS (HANGZHOU) CO. LTD

77 23rd Street
Hangzhou Economic & Technological Development Area
Hangzhou, Zhejiang 310018 China
Phone: +86 571 8788 6060 Fax: +86 571 8684 8878

FW MURPHY INTERNATIONAL TRADING (SHANGHAI) CO., LTD.

Suite 1704, Tower B, City Center of Shanghai; 100 Zunyi Road
Shanghai, 200051 China
Phone: +86 21 6237 2082 Fax: +86 21 6237 2083
Web site: mhong@fwmurphy.com



Printed in U.S.A.

Warranty - A limited warranty on materials and workmanship is given with this FW Murphy product. A copy of the warranty may be viewed or printed by going to www.fwmurphy.com/support/warranty.htm