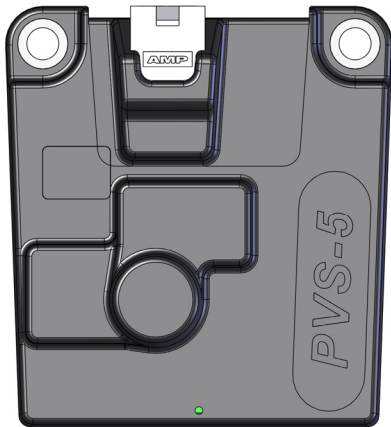


# PVS-5 Power Supply



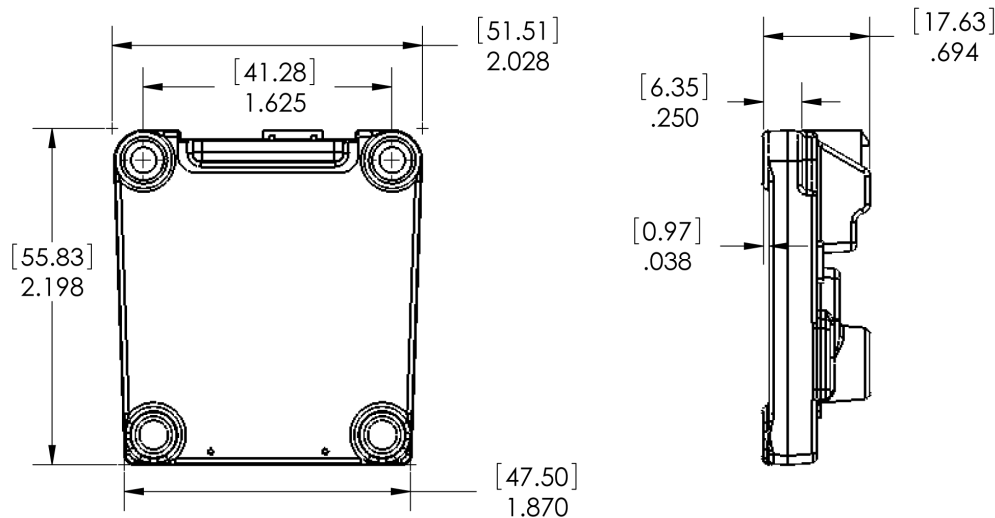
## Features

- Provides 5 Volt power supply to PVM gages
- Capable of supplying power to a maximum of 6 PVM gages
- Enables PVM gage compatibility with existing MurphyLink products
- Easy mounting and installation

External power is required to make the PVM gage line compatible with existing MurphyLink products, i.e. PV1000, Cascade, iGUARD and eGUARD. The PVS-5 power supply device supplies 5 Volts of external power and load dump protection for up to 6 PVM gages. The maximum length of the power and data connection between gages is 0.5meters (8.5 meters total).

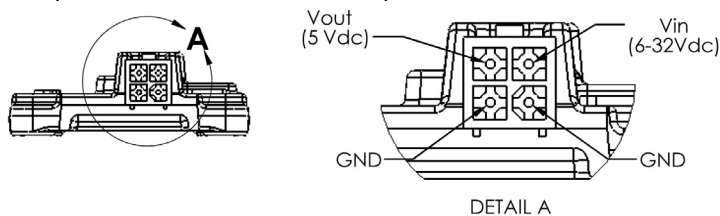
The unit may be installed inside a panel or behind a dash.

## Product Dimensions



## Wiring Diagram

The pin out information for the 4 pin connector is shown below.



**Mating Connector** – Tyco Electronics AMP Mini Universal Mate-N-Lok Plug Housing 4 Position, AMP P/N 172338-1  
Murphy P/N 00-00-6935

## Specifications

### Input Voltage:

- 6 VDC minimum to 32 VDC maximum
- 12/24 VDC Nominal

**Output Voltage:** 5 VDC @ 450mA maximum

**Reverse Polarity Protection:** -36VDC

**Overvoltage Protection:** +36VDC and above

**Overcurrent Protection:** 600mA @ 36VDA maximum

**Connector:** AMP 1-770968-1

**Operating Temperature:** -40°F to 185°F (-40°C to +85°C)

**Storage Temperature:** -40°F to 221°F (40°C to +105°C)

**Random Vibration:** 5-2,000 Hz

**Operating Shock:** 50G

**Certification:** CE

**Case Material:** Polyamide


**Dimensions:** 2"x2"x.75"

**Mounting Hole Dimensions:** Two #8 screws, 1.625" offset

## How to Order

P/N 78-70-0383 - PVS-5 Power Supply

## Accessories

Model	Wiring harness Rendering	Wiring Harness Designation Schematic	Part Number
<b>PVWM-J</b> PVM Gage Harness		<p><b>PVWM - J - 9</b></p> <p>PowerView Jumper Harness</p> <p>Length: - 9 : 9 in. (229 mm) - 12 : 12 in. (305 mm) - 24 : 24 in. (607 mm)</p>	<p><b>78-00-0479</b> <b>78-00-0490</b> <b>78-00-0503</b></p>

### FW MURPHY

P.O. Box 470248  
Tulsa, Oklahoma 74147 USA  
+1 918 317 4100 Fax: +1 918 317 4266  
E-mail: sales@fwmurphy.com

### INDUSTRIAL PANEL DIVISION

Fax: +1 918 317 4124  
E-mail: ipdsales@fwmurphy.com

### MURPHY POWER IGNITION

Web site: www.murphy-pi.com

### CONTROL SYSTEMS & SERVICES DIVISION

P.O. Box 1819  
Rosenberg, Texas 77471 USA  
Phone: +1 281 633 4500 Fax: +1 281 633 4588  
E-mail: sales@fwmurphy.com

### FRANK W. MURPHY, LTD

Church Rd Laverstock  
Salisbury SP1 1QZ UK  
Phone: +44 172 241 0055 Fax: +44 172 241 0088  
E-mail: sales@fwmurphy.co.uk  
Web site: www.fwmurphy.co.uk

### COMPUTRONIC CONTROLS, LTD

41 - 43 Railway Terrace  
Nechells, Birmingham B7 5NG UK  
Phone: +44 121 327 8500 Fax: +44 121 327 8501  
E-mail: sales@computroniccontrols.com  
Web site: www.computroniccontrols.com

www.fwmurphy.com

### FW MURPHY INSTRUMENTS (HANGZHOU) CO. LTD

77 23rd Street  
Hangzhou Economic & Technological Development Area  
Hangzhou, Zhejiang 310018 China  
Phone: +86 571 8788 6060 Fax: +86 571 8684 8878

### FW MURPHY INTERNATIONAL TRADING (SHANGHAI) CO., LTD.

Suite 17B4, Tower B, City Center of Shanghai; 100 Zunyi Road  
Shanghai, 200051 China  
Phone: +86 21 6237 2082 Fax: +86 21 6237 2083  
Web site: mhong@fwmurphy.com



ISO 9001  
REGISTERED

Printed in U.S.A.

**Warranty** - A limited warranty on materials and workmanship is given with this FW Murphy product. A copy of the warranty may be viewed or printed by going to [www.fwmurphy.com/support/warranty.htm](http://www.fwmurphy.com/support/warranty.htm)