

# PowerView™ - Model PV10 – Diagnostic Display



## Features

- Display supports electronically controlled engines and equipment applications that use SAE J1939 Controller Area Networks.
- Displays Active and Stored diagnostic trouble codes for diagnosing equipment malfunctions.
- Displays Engine Hours, SPN, FMI, and OC information on a graphic display.
- Provides enhanced visual alarm indication using Ultra-bright ALARM or SHUTDOWN LED's (amber and red).
- Simple installation and connections to the system bus.
- Rugged design for demanding applications.

## Product Description

The PV10 Diagnostic display is a CAN device that receives data from a controller or ECU and then displays Active and Stored Fault messages and Engine Hours.

The default mode provides hourmeter data from the ECU for cumulative engine hours.

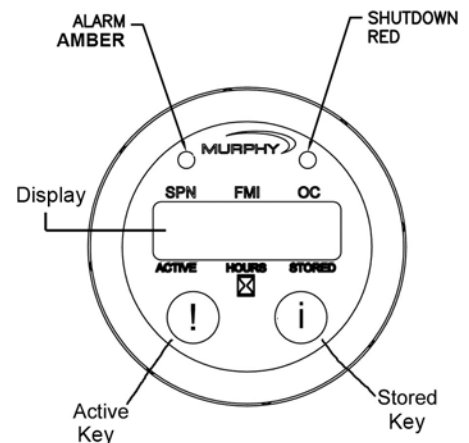
The PV10 is equipped with two buttons to quickly select between Active or Stored Faults, a graphic display, two LED's to indicate the Active fault's Alarm or Shutdown status in a sealed enclosure that matches the PowerView line of gages.

### Fault Messages

Fault messages are formatted to display SPN (Suspect Parameter Number), FMI (Failure Mode Indicator) and OC (Occurrence Count) codes that conform to the SAEJ1939 protocol.

Up to 32 Active or Stored messages may be displayed/cycled at a rate of 3 seconds per message. Fault message format contains 3 banks of numbers representing:

- **SPN** –6 digits
- **FMI** – 2 digits
- **OC** – 3 digits



**WARNING!** The PV10 displays any valid fault data received through the CAN bus as long as it complies with the SAEJ1939 communications protocol. When reading CAN information, it is important that care is taken to refer to the engine's technical manuals to insure proper interpretation of the data.

For more specific information, contact the engine manufacturer or refer to the SAE J1939 specifications at [www.sae.org](http://www.sae.org).

## Display Operation

Up to 32 diagnostic fault codes may be displayed for 3 second each. Whether in Active or Stored mode, pressing “!” or “i” respectively, will immediately advance to the next message. Holding down a key will quickly cycle through messages.

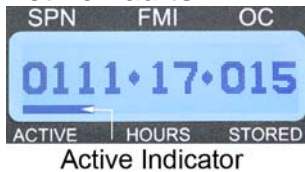
### Engine Hours



By default, the PV10 unit displays in hourmeter mode, indicated by a cursor above the word HOURS. After viewing Active or Stored Faults, the screen will return to Engine Hours mode.

PGN (Parameter Group Number) 65253, Engine Total Hours of Operation

### Active Faults



When the PV10 diagnostic display receives an Active Fault:

- the LED Alarm will light
- the cursor will indicate 'Active'
- all Active Fault code(s) will display

After scrolling through all the faults, the display returns to Engine Hours. After 3 seconds PV10 looks for the next Active Fault message and the process repeats.

You may also display Active Faults at any time by pressing “!”.

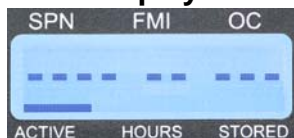
### Stored Faults



Press “i” to display Stored Faults. Notice the cursor moves to the STORED indicator. After the PV10 scrolls through all the Stored Faults, the device returns to Engine Hours.

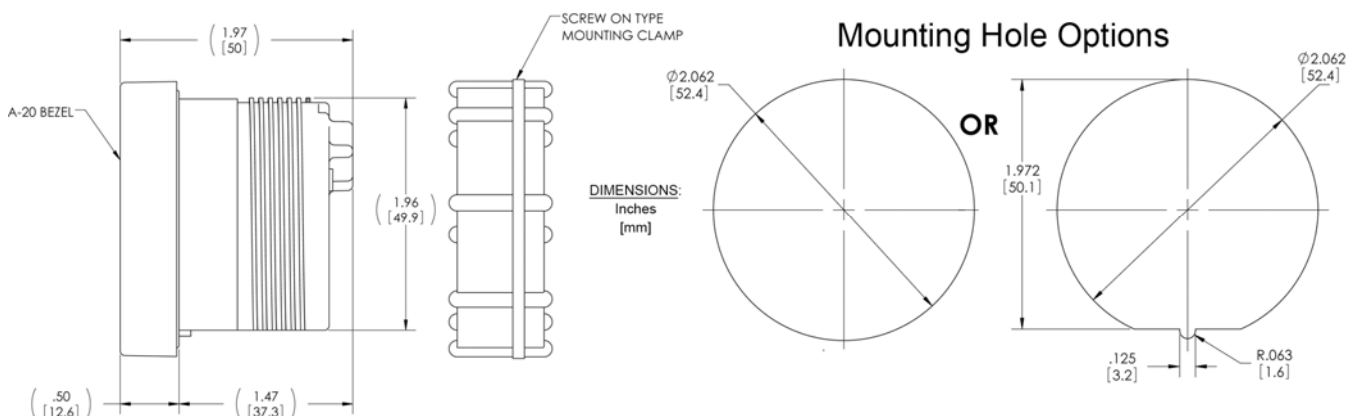
**NOTE:** If the LED Alarm lights up while displaying Stored Faults, you may press “!” to immediately display the Active Faults. Otherwise, the PV10 will finish scrolling through the Stored Fault codes, return to Engine Hours for 3 seconds, and then displays the Active Faults.

### Blank Display



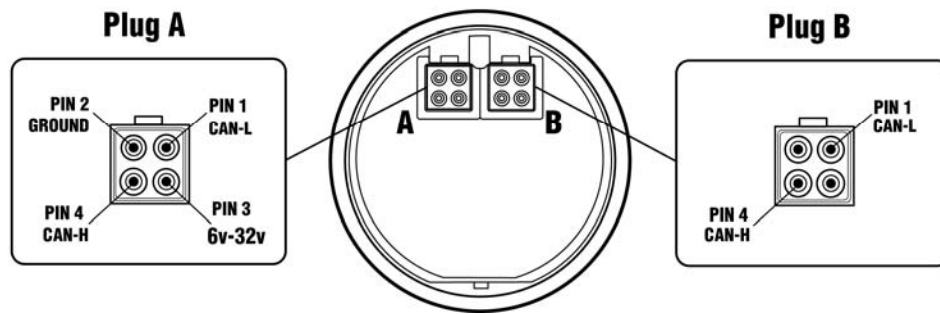
When all dashes are displayed in place of numbers, the PV10 received invalid or no data to display Engine Hours, Active or Stored Faults.

## Product Dimensions

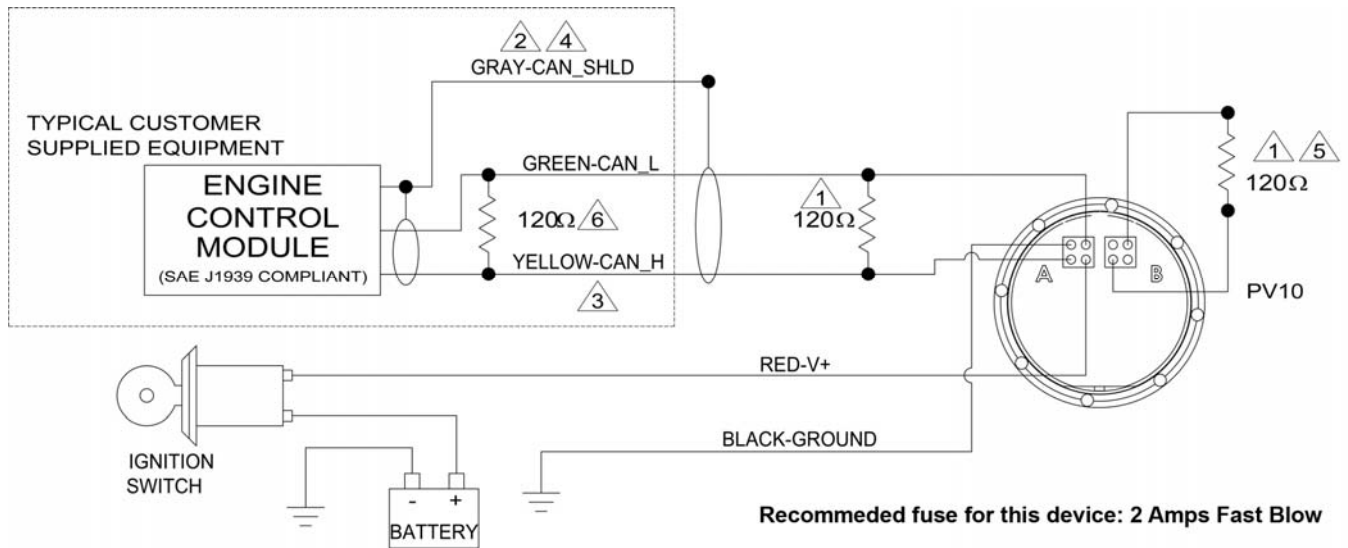


## Connection Detail

### PV10 Back View



### Typical Wiring Diagram



**WARNING!** READ NOTES below before installing the PV10.

Note	
1	Use resistor between CAN_H and CAN_L line near PowerView (included in some cables or factory purchased panels). Resistor can be installed in the wire harness attached to Port A or a terminating resistor (Murphy P/N 7800480) can be attached to Port B. Do not connect a terminating resistor to Port A and B simultaneously. If PV10 is not the last device on the CAN bus, place terminator resistor at last CAN device.
2	Use SAE J1939 CAN compliant wiring.
3	Only use 120 OHM characteristic impedance cable, ex. Belden 9841.
4	CAN Shield connected to ECU end only.
5	Do not connect to PV10 Port B other than to terminate CAN bus. See Note 1.
6	Terminating resistor at ECU end of harness. <b>WARNING:</b> Two 120 Ohm resistors should be located at opposite ends of the J1939 CAN bus. Failure to comply will cause bus failures. Only two 120 Ohm resistors are allowed on the J1939 CAN bus. ECU terminating resistor is typically located in the harness, but can be located inside the ECU's. For ECU resistor location check with OEM, equipment supplier, or ECU specification.

## Specifications

---

### Operating Voltage

- 6.0 VDC minimum to 36 VDC maximum

### Power Supply Operating Current

- 460mA max @ 12VDC
- 810mA max @ 24VDC

**Reversed Polarity:** Withstands reversed battery terminal polarity.

### Environmental

- **Operating Temperature:** -40°C to 70°C (-40°F to 158°F)
- **Storage Temperature:** -55°C to 85°C (-67°F to 185°F)
- **Sealing:** IP68

**CAN Bus:** SAE J1939 compliant

**Case:** Polycarbonate /PBT blend

**Clamp:** PBT

### Connectors:

- 4-pin AMP "Mini-universal Mate-N-Lok" connector
- AMP Plug: P/N 172338-1
- AMP Socket: P/N 171639-1 (4 each, assumes 18 gauge wire. See AMP Plug specification to match socket and wire size.)

**Maximum Panel Thickness:** 3/8 inch (9.6 mm)

**Shipping Weights (all models):** 0.2 lb. (0.1 kg.)

**Shipping Dimensions (all models):** 3-7/8 x 2-3/4 x 2-3/4 in. (98.4 x 69.85 x 69.85 mm)

## Accessories

---

Wiring Harness, PVW-PDA-12 PowerView 10 CAN and Power (PN 78-00-0613)

Wiring Harness, PA-30 PowerView 10 Loose Wiring (PN78-00-0614)

Terminating Resistor, PVMJR (PN 78-00-0480)

**NOTE:** For additional information on PV10 accessories and Quick Connect Diagram, visit our website: [www.fwmurphy.com/products/murphylink/pv10.htm](http://www.fwmurphy.com/products/murphylink/pv10.htm)

#### FW MURPHY

P.O. Box 470248  
Tulsa, Oklahoma 74147 USA  
+1 918 317 4100 Fax: +1 918 317 4266  
E-mail: [sales@fwmurphy.com](mailto:sales@fwmurphy.com)

#### INDUSTRIAL PANEL DIVISION

Fax: +1 918 317 4124  
E-mail: [ipdsales@fwmurphy.com](mailto:ipdsales@fwmurphy.com)

#### MURPHY POWER IGNITION

Web site: [www.murphy-pi.com](http://www.murphy-pi.com)

#### CONTROL SYSTEMS & SERVICES DIVISION

P.O. Box 1819  
Rosenberg, Texas 77471 USA  
Phone: +1 281 633 4500 Fax: +1 281 633 4588  
E-mail: [sales@fwmurphy.com](mailto:sales@fwmurphy.com)

#### FRANK W. MURPHY, LTD

Church Rd Laverstock  
Salisbury SP1 1QZ UK  
Phone: +44 172 241 0055 Fax: +44 172 241 0088  
E-mail: [sales@fwmurphy.co.uk](mailto:sales@fwmurphy.co.uk)  
Web site: [www.fwmurphy.co.uk](http://www.fwmurphy.co.uk)

#### COMPUTRONIC CONTROLS, LTD

41 - 43 Railway Terrace  
Nechells, Birmingham B7 5NG UK  
Phone: +44 121 327 8500 Fax: +44 121 327 8501  
E-mail: [sales@computroniccontrols.com](mailto:sales@computroniccontrols.com)  
Web site: [www.computroniccontrols.com](http://www.computroniccontrols.com)

[www.fwmurphy.com](http://www.fwmurphy.com)

#### FW MURPHY INSTRUMENTS (HANGZHOU) CO. LTD

77 23rd Street  
Hangzhou Economic & Technological Development Area  
Hangzhou, Zhejiang 310018 China  
Phone: +86 571 8788 6060 Fax: +86 571 8684 8878

#### FW MURPHY INTERNATIONAL TRADING (SHANGHAI) CO., LTD.

Suite 1704, Tower B, City Center of Shanghai; 100 Zunyi Road  
Shanghai, 200051 China  
Phone: +86 21 6237 2082 Fax: +86 21 6237 2083  
Web site: [mhong@fwmurphy.com](mailto:mhong@fwmurphy.com)



Printed in U.S.A.

**Warranty** - A limited warranty on materials and workmanship is given with this FW Murphy product. A copy of the warranty may be viewed or printed by going to [www.fwmurphy.com/support/warranty.htm](http://www.fwmurphy.com/support/warranty.htm)

*In order to consistently bring you the highest quality, full featured products, we reserve the right to change our specifications and designs at any time. MURPHY, the Murphy logo, MurphyLink™ and PowerView™ are registered and/or common law trademarks of Murphy Industries, Inc. This document, including textual matter and illustrations, is copyright protected by Murphy Industries, Inc., with all rights reserved. (c) 2008 Murphy Industries, Inc.*