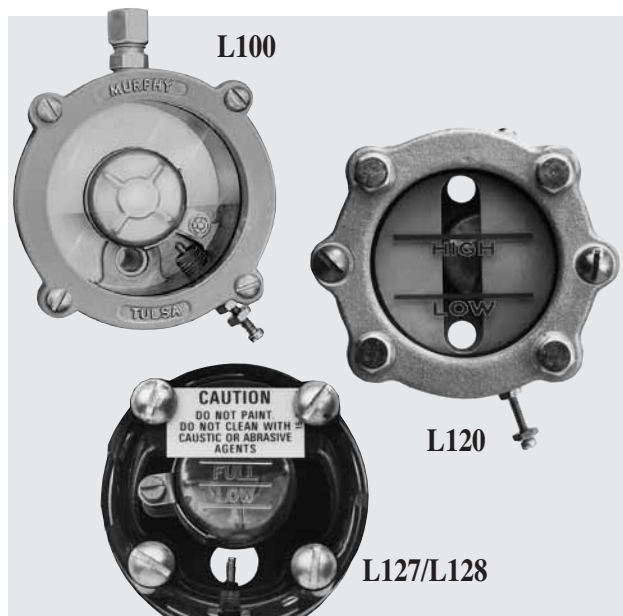


Float Actuated Oil Level Swichgage[®] instrument

0710176
Revised 03-07
Catalog Section 15



For Small Engines and Pumps

- See Oil Level and Condition Without Shutting Down
- Shutdown or Alarm on Low Lube Level
- Adjustable Limit Switch for Alarm and/or Shutdown
- Save on Reduced Downtime and Repair Costs
- Simple Installation



Description

These float actuated Oil Level Swichgage instruments are a combination oil level sight gage and adjustable, low and/or high limit switch. The limit switches are normally open during operation—yet close if the level drops (or rises) to where the float contacts the limit screw. The contact completes a circuit to ground a magneto or trip a Murphy magnetic switch. The magnetic switch can be used to activate alarms and/or shutdown. Models are also available without limit switches.

Application

The level instruments described above can be used on a variety of crankcases, pump gearcases, or oil reservoirs—primarily on small engines and pumps. The following list displays the model and its typical application:

- L100[†]:** Small engines and pumps with non-vented crankcase.
- L100W[†]:** Small engines and pumps with vented crankcase.
- L120:** Machined surface on crankcase such as Witte, National-Oilwell/Garland.
- L127:** Machined surface on crankcase, specifically, Fairbanks-Morse ZC Series and Bell Engines.
- L128:** Machined surface on crankcase, specifically, Arrow and Continental Emsco/Climax.

Specifications

- **Maximum Pressure Rating (all models):**
30 psi (207 kPa) [2.07 bar]
- **L100 and L100W**
Case: Die cast aluminum
Float: Brass
Rating: 2 A @ 30 VAC/DC
Vent Fitting: 1/4 in. (6 mm) tube x 1/8 NPT
Inlet Fitting: Hex Nipple 1/4 NPT
Hardware (shipped loose)
L100:
 - Copper Tubing: 1/4 x 48 in. dia. (6 mm x 1.2 m)
 - Reducer Bushing: 1/2 NPT x 1/4 NPT
 - Close Nipple: 1/2 NPT
 - Tee: 1/2 NPT, black pipe
 - Wire: 16 AWG x 24 in. (1.5 mm² x 610 mm)**L100W:**
 - Vent Tube: 1/4 x 3-3/8 in. (6 x 86 mm)
 - Reducer Bushing: 3/4 NPT x 1/4 NPT
 - Close Nipple: 3/4 NPT
 - Tee: 3/4 NPT, black pipe
 - Wire: 16 AWG x 24 in. (1.5 mm² x 610 mm)
- **L120**
Case: Cast Aluminum
Float: Brass
Rating: 2 A @ 30 VAC/DC
Mounting Bolts: 1/4-20 UNC-2A (4 req'd)

■ L127 and L128

- Case:** TROGAMID[®] Nylon
- Float:** Brass
- Rating:** 2 A @ 30 VAC/DC
- Wire:** 16 AWG x 48 in. (1.5 mm² x 1.2 m)
- Mounting Bolts:**
 - L127: 1/4-20 NC x 2 in. (4 required)
 - L128: 3/8-16 NC x 3/4 in. (2 required)

Warranty

A limited warranty on materials and workmanship is given with this FW Murphy product. A copy of the warranty may be viewed or printed by going to www.fwmurphy.com/support/warranty.htm

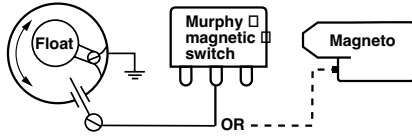
[†] Models available with high and low options. See *How to Order* on reverse side

**Products covered by this bulletin comply with EMC Council directive 89/336/EEC regarding electromagnetic compatibility except as noted.



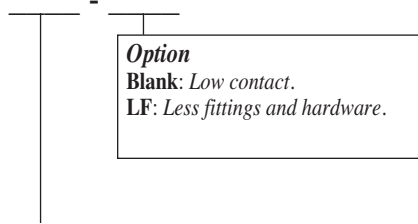
Typical Wiring Diagram

Below is a typical wiring diagram for a level Switchgauge instrument. A Switchgauge instrument can be connected to a Murphy magnetic switch or magneto. Switch Contact Rating is 2 A @ 30 VAC/DC resistive.



How to Order

Specify base model designator and options in sequence shown below. Example: **L100-HL**.



Base Model (refer to "Application" section)

L100: Sight gage with low limit switch.

L100W: Same as L100 except fittings.

L120: Sight gage with low limit switch.

L127: Sight gage with low limit switch.

L128: Sight gage with low limit switch.

Dimensions

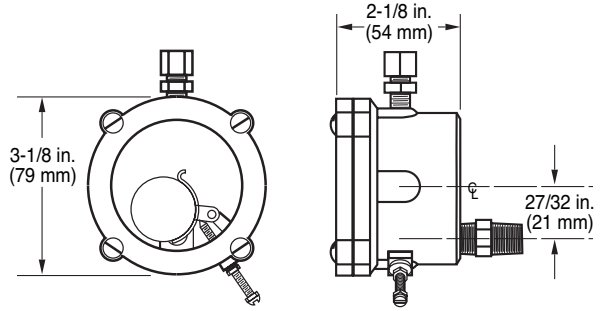
L100 and L100W

Shipping Dimensions:

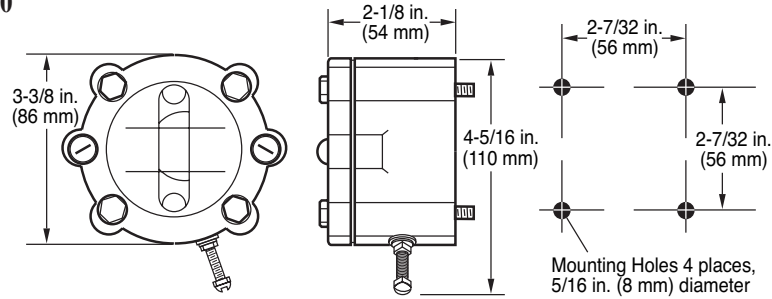
- L100: 5-1/4 x 5-1/4 x 5-1/2 in. (133 x 133 x 140 mm)
- L100W: 4-3/4 x 4-3/4 x 3-1/4 in. (121 x 121 x 83 mm)

Shipping Weight:

- L100: 2 lbs. (0.91 kg)
- L100W: 2 lbs. (0.91 kg)



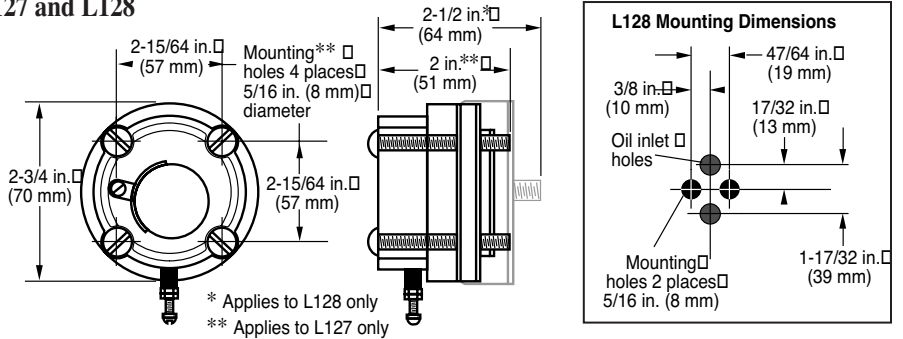
L120



Shipping Weight: 1 lb 8 oz (0.68 kg)

Shipping Dimensions: 4-3/4 x 4-3/4 x 3-1/4 in. (121 x 121 x 83 mm)

L127 and L128



Shipping Weight:

- L127: 8 oz (0.23 kg)
- L128: 10 oz (0.36 kg)

Shipping Dimensions (L127 and L128):

4-3/4 x 4-3/4 x 3-1/4 in. (121 x 121 x 83 mm)

FW MURPHY

P.O. Box 470248
Tulsa, Oklahoma 74147 USA
+1 918 317 4100 Fax: +1 918 317 4266
E-mail: sales@fwmurphy.com

INDUSTRIAL PANEL DIVISION

Fax: +1 918 317 4124
E-mail: ipdsales@fwmurphy.com

MURPHY POWER IGNITION

Web site: www.murphy-pi.com

www.fwmurphy.com

CONTROL SYSTEMS & SERVICES DIVISION

P.O. Box 1819
Rosenberg, Texas 77471 USA
Phone: +1 281 633 4500 Fax: +1 281 633 4588
E-mail: sales@fwmurphy.com

FRANK W. MURPHY, LTD

Church Rd Laverstock
Salisbury SP1 1OZ UK
Phone: +44 172 241 0055 Fax: +44 172 241 0088
E-mail: sales@fwmurphy.co.uk
Web site: www.fwmurphy.co.uk

COMPUTRONIC CONTROLS, LTD

41 - 43 Railway Terrace Nechells
Birmingham B7 5NG UK
Phone: +44 121 327 8500 Fax: +44 121 327 8501
E-mail: info@computroniccontrols.com
Web site: www.computroniccontrols.com

FW MURPHY INSTRUMENTS (HANGZHOU) CO. LTD

77 23rd Street
Hangzhou Economic & Technological Development Area
Hangzhou, Zhejiang 310018 China
Phone: +86 571 8788 6060 Fax: +86 571 8684 8878



Printed in U.S.A.