

# Swichgage® Panel Assembly for DEUTZ 413, 511, 912, and 913 Series

DTZ-94098B  
Revised 04-06  
Catalog Section 30  
00-02-0081



## WDU-0277

- OEM Replacement Panel
- Complete Kit
- Weatherproof
- Full Features

### Description

The WDU-0277 Swichgage instrument panel is suitable for all open frame DEUTZ 413, 511, 912 and 913 series engines.

This OEM panel is ideal for all power unit applications such as pumps, generators and compressors.

Swichgage instruments are provided for engine oil pressure and cylinder head temperature. Also included is a complete array of components for easy installation.

The panel mounts onto existing pads on the flywheel housing and can face to either side of the engine. Shockmounts in the mounting bracket provide protection from shock and normal vibration for the panel and its components.

### Specifications

- Weatherproof panel with hinged and gasketed rear access door.
- Suspension shock mounted bracket
- Low Lube Oil pressure Swichgage with 2 ft. (0.61 m) oil pressure line and banjo fitting.
- High Cylinder Head temperature Swichgage with 4 ft. (1.2 m) capillary tubing.
- Magnetic Switch/relay for automatic shutdown
- Ammeter
- Hourmeter
- Off-Ign-Heat-Start Key switch
- Alarm lights for Alternator Failure and Preheat
- Fuel return check valve (not shown)

- Plug-in wire connector to match Deutz wire harness (not shown)
- Provision for 3 additional Swichgage or Murphygage® instruments.

### How to Order

To order the WDU-0277, specify model and voltage. Example: **WDU-0277-12**

WDU-0277 –

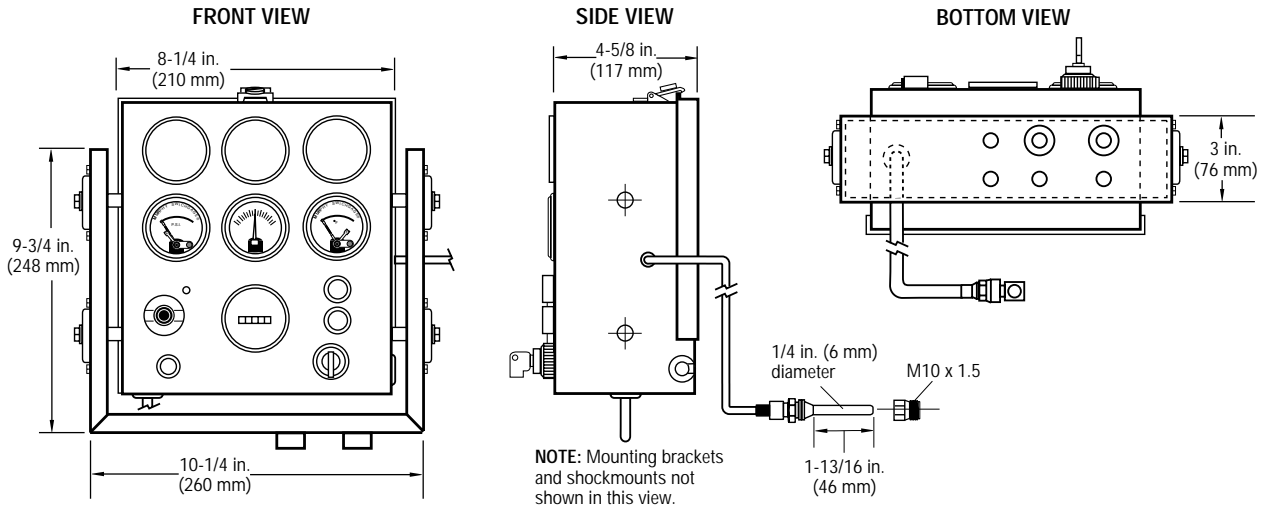
<b>Voltage</b> 12 = 12 VDC 24 = 24 VDC
--

### Warranty

A limited warranty on materials and workmanship is given with this FW Murphy product. A copy of the warranty may be viewed or printed by going to [www.fwmurphy.com/support/warranty.htm](http://www.fwmurphy.com/support/warranty.htm)



# Dimensions



**CAUTION:** "OIL FILLED INSTRUMENTS CONTAIN SILICON OIL" Exposure may be hazardous under certain circumstances.

"DO NOT CUT CAPILLARY" It contains chemicals or solvents which may be hazardous under certain circumstances.

"Keep out of Eyes, Mouth and Do Not expose to Skin". Keep out of reach of children. Flush thoroughly with water and seek medical attention.

If swallowed, call physician immediately. MSDS Sheets are available by calling: 918/627-3550.

**CAUTION:** Certain dangers to human safety and to equipment may occur if some equipment is stopped without pre-warning. It is recommended that monitored functions be limited to alarm-only or to alarm before shutdown.

  
www.fwmurphy.com  
918.317.4100 Email: sales@fwmurphy.com

*In order to consistently bring you the highest quality, full featured products, we reserve the right to change our specifications and designs at any time. MURPHY, the Murphy logo, and Swichgag® are registered and/or common law trademarks of Murphy Industries, Inc. This document, including textual matter and illustrations, is copy right protected by Murphy Industries, Inc., with all rights reserved. (c) 2006 Murphy Industries, Inc.*