

Swichgage® Shutdown Panels for Mobile Equipment of All Kinds

WAI-94032B
Revised 05-06
Catalog Section 30



WAI Series

- Get the Same Original Equipment Specified by Major OEM's
- Swichgage Instruments Include Built-in Light Pipe Illumination
- Prewired and Ready to Install
- Alarm Only Model Saves Money on Applications Not Requiring Shutdown
- Available for 12 or 24 Volts

Description

WAI Series Murphy panels offer engine protection for on and off road mobile equipment.

You get accurate engine readings and time-delayed automatic shutdowns. Flashing light and mini-siren signal a warning before the shutdown. Alarm-only panels (without shutdown capabilities) are also available.

WAI panels are easy to install and function test without the need for expensive auxiliary equipment. Each is a cost competitive and effective system for engine protection.

The WAI Series Panels are complete diagnostic, engine-protection systems. Any vehicle or engine can be monitored and in case of potentially damaging conditions an alarm will operate before the engine is shut down. WAI Panels feature direct-reading, mechanical Swichgage instruments (gauge and limit switch in one) and Selectronic relays and alarms. Swichgage instruments are internally lighted for night illumination.

Models Available

WAI-2: Completely enclosed and with convenient under-dash mounting provides Swichgage instruments for low oil pressure and high coolant temperature; visual and audible alarms before automatic shutdown. Includes a 270° pivoting, mounting bracket.

WAI-3: Same as WAI-2 panel with a 3rd Swichgage instrument for block coolant pressure (0-15 psi).

WAI-4: Same as WAI-2 panel with a 3rd Swichgage instrument for transmission temperature (140-300°F).

WAI-7: Open style panel same as WAI-2.

WAI-8: Open style panel provides Swichgage instruments for low oil pressure, coolant pressure and high coolant temperature; visual and audible alarms before automatic shutdown.

WAI-9: Open style panel same as WAI-8 with transmission temperature Swichgage instrument instead of coolant pressure.

WAI-271: Open style panel similar to WAI-7 but for alarm-only.

Application

Trucks, buses, fork lifts, loaders, earth-movers—any engine powered mobile unit, such as delivery vans, farm and construction equipment, street sweepers.

Warranty

A limited warranty on materials and workmanship is given with this FW Murphy product. A copy of the warranty may be viewed or printed by going to www.fwmurphy.com/support/warranty.htm

MURPHY®

WAI-2



- Enclosed Panel
- Oil Pressure Switchgauge instrument
- Coolant Temperature* Switchgauge instrument
- Mini-siren
- FL3/TL2 flasher and light
- 760AF Magnetic Switch with 30 second time delay for alarm before shutdown; 12 VDC, (optional 24 V)

WAI-3 / WAI-4



- Enclosed Panels
- Oil Pressure Switchgauge instrument
- Coolant Temperature* Switchgauge instrument
- Block Coolant Pressure* Switchgauge instrument (WAI-3 only 0-15psi)
- Transmission Temp.* Switchgauge instrument (WAI-4 only 140-300°F)
- Mini-siren
- FL3/TL2 flasher and light
- 760AF Magnetic Switch with 30 second time delay for alarm before shutdown; 12 VDC, (optional 24 V)

WAI-7



- Open Style Panel
- Oil Pressure Switchgauge instrument
- Coolant Temperature* Switchgauge instrument
- Mini-siren
- TL7, Flasher Alarm Light
- 760AF Magnetic Switch with 30 second time delay for alarm before shutdown; 12 VDC, (optional 24 V)

WAI-8 / WAI-9



- Open Style Panel
- Oil Pressure Switchgauge instrument
- Coolant Pressure* Switchgauge instrument (WAI-8 only 0-15psi)
- Transmission Temp.* Switchgauge instrument (WAI-9 only 140-300°F)
- Coolant Temperature* Switchgauge instrument
- Mini-siren
- TL7, Flasher Alarm Light
- 760AF Magnetic Switch with 30 second time delay for alarm before shutdown; 12 VDC, (optional 24 V)

*Temperature capillary length is standard 6 ft. (1.8 m). Specify longer lengths.

- Alarm-Only, Open Style Panel
- Oil Pressure Swichgauge instrument
- Coolant Temperature* Swichgauge instrument
- Mini-siren
- TL7, Flasher Alarm Light
- Available for 12 VDC or 24 VDC



*Temperature capillary length is standard 6 ft. (1.8 m). Specify longer lengths.

How to Order

**Order by using the model number
(also see the quick reference guide below):**

- WAI-2
- WAI-3
- WAI-4
- WAI-7
- WAI-8
- WAI-9
- WAI-271

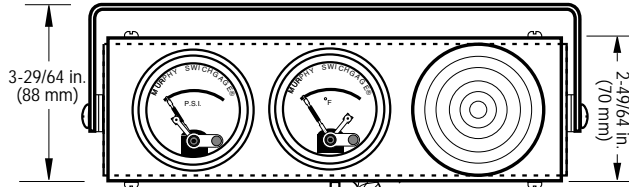
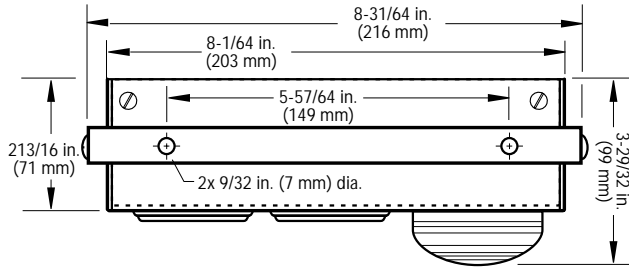
STANDARD PANEL ASSEMBLIES AND KITS ~ QUICK REFERENCE GUIDE

Options like 24 VDC, special capillary length, delay time, etc, can be specified.

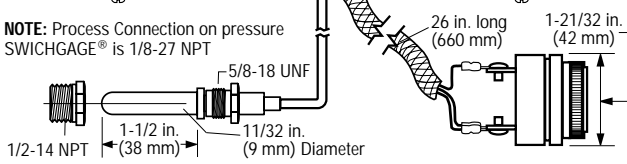
	WAI2	WAI3	WAI4	WAI7	WAI8	WAI9
Enclosed, easy-mount panel	✓	✓	✓			
Open, easy-mount panel				✓	✓	✓
201P-1-75 Engine oil pressure SWICHGAGE®	✓	✓	✓	✓	✓	✓
202T-1-220 Engine coolant temperature SWICHGAGE® (6 ft. [1.83 m] capillary)	✓	✓	✓	✓	✓	✓
202P-1-15 Engine coolant pressure SWICHGAGE®		✓			✓	
203T-1-300 Transmission temperature SWICHGAGE® (6 ft. [1.83 m]) warning-only			✓			✓
760AF SELECTRONIC® relay (30 second time delay, 12V)	✓	✓	✓	✓	✓	✓
TL7 SELECTRONIC® flashing alarm (12V, negative ground)				✓	✓	✓
TL2 and FL3 alarm light	✓	✓	✓			
SAH MINI-SIREN®	✓	✓	✓	✓	✓	✓
Diode 65010098, isolates transmission temperature for warning-only			✓			✓

Typical Dimensions

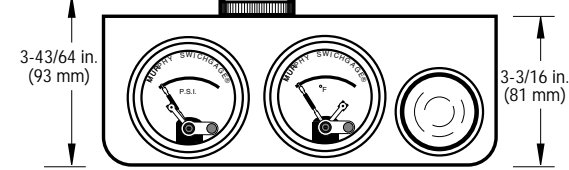
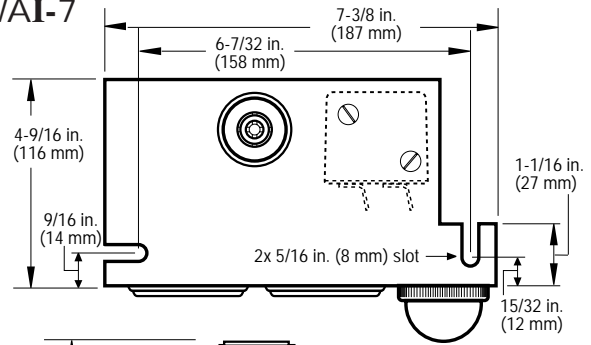
WAI-2



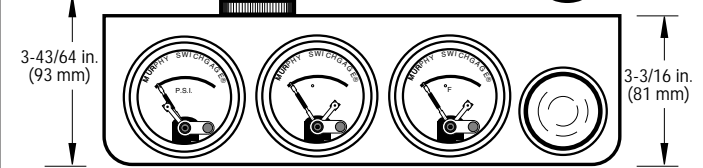
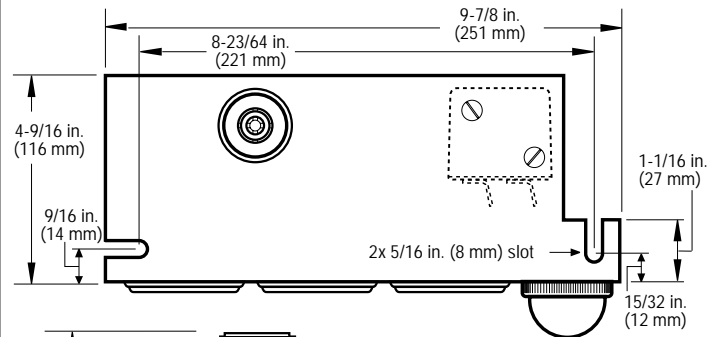
NOTE: Process Connection on pressure SWICHGAGE® is 1/8-27 NPT



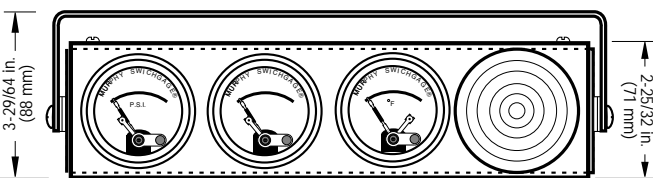
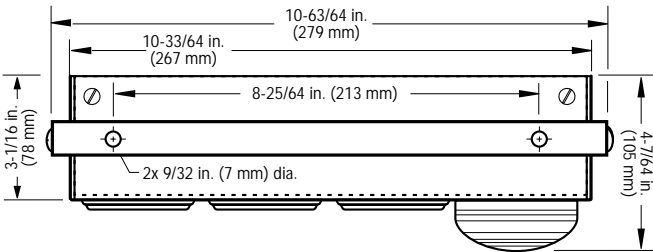
WAI-7



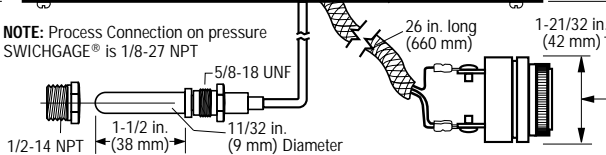
WAI-8 / WAI-9



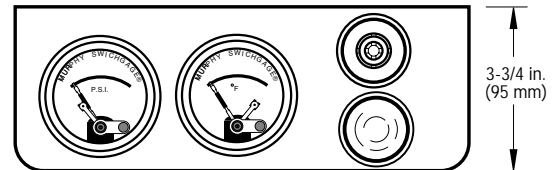
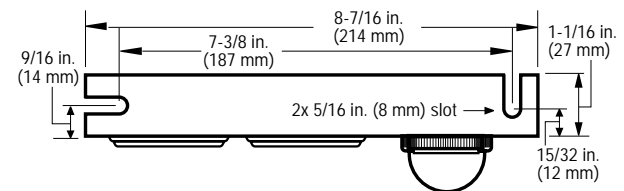
WAI-3 / WAI-4



NOTE: Process Connection on pressure SWICHGAGE® is 1/8-27 NPT



WAI-271



MURPHY
www.fwmurphy.com

918.317.4100 Email: sales@fwmurphy.com

In order to consistently bring you the highest quality, full featured products, we reserve the right to change our specifications and designs at any time. MURPHY, the Murphy logo, and Swichgag® are registered and/or common law trademarks of Murphy Industries, Inc. This document, including textual matter and illustrations, is copy right protected by Murphy Industries, Inc., with all rights reserved. (c) 2006 Murphy Industries, Inc.

In order to consistently bring you the highest quality, full featured products, we reserve the right to change our specifications and designs at any time.