

**MurphyLink
2nd Generation
Panels**



MurphyLink™ Series M110 Panels

- Standard panel designed for modern electronic engines and equipment applications using SAE J1939 Controller Area Network (CAN)
- PowerView displays over 30 standard SAE J1939 parameters broadcast by major engine and transmission manufacturer's ECU's
- Display active faults and ECU-stored faults with text description on most common faults for diagnosing equipment malfunctions
- Standard harnesses available for most major engine manufacturers ECU's
- Enclosed design or flat panel option
- Deutsch connectors
- Optional Extension Harnesses

Description

Introducing the new M110 Series panels using the new PowerView System. It is available in an enclosure or stand-alone flat panel option that can be dropped into a dash. The PowerView is a powerful new display in a line of components manufactured as part of its J1939 MurphyLink™ Family. These products meet the needs for instrumentation and control on electronically controlled engines communicating using the SAE J1939 Controller Area Network (CAN).

The PowerView is a multifunction tool that enables equipment operators to view many different engine or transmission parameters and service codes. The panels provide a window into modern electronic engines. The PowerView includes a graphical backlit LCD screen. It has excellent contrast and viewing from all angles. The display can show either a single parameter or a quadrant display for viewing four parameters simultaneously. Diagnostic capabilities include fault codes with text translation for the most common fault conditions.

The PowerView has four buttons using touch-sensitive technology, which eliminates the concern for push button wear and failure.

In addition operators can navigate the display with ease. Enhanced alarm indication uses ultra bright alarm and shutdown LED's (amber and red). The PowerView has a wide operating temperature range of -40 to +85° C (-40 to 185° F), display viewing -40 to +75° C (-40 to 167° F), and environmental sealing to +/- 5 PSI.

This basic panel contains a key switch, increment/decrement throttle and the PowerView.

This standard panel can be ordered with or without an enclosure, since all of the components are assembled to a stand-a-lone flat panel. Optional mounting kits are offered for the enclosure, which provide packagers and operators numerous mounting solutions to meet multiple applications. Panel designs are offered to meet the needs of specific engine models. In addition, FWMurphy offers standard harnesses for quick Plug and Go operation that interface with all the 2nd Generation MurphyLink™ Powerview panels.

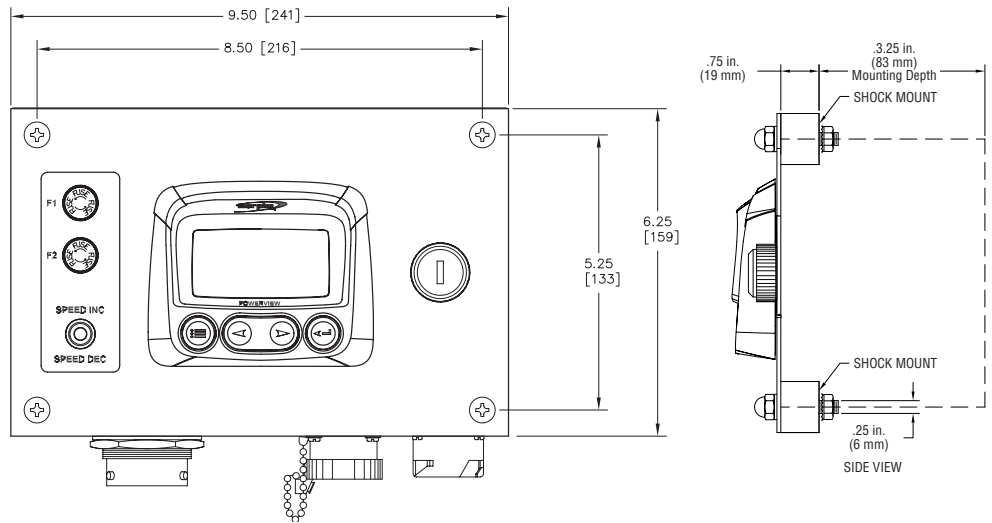
Optional Extension Harnesses are available to allow remote mounting of the panel. For available lengths see the How to Order information (page-3).

Display Parameters

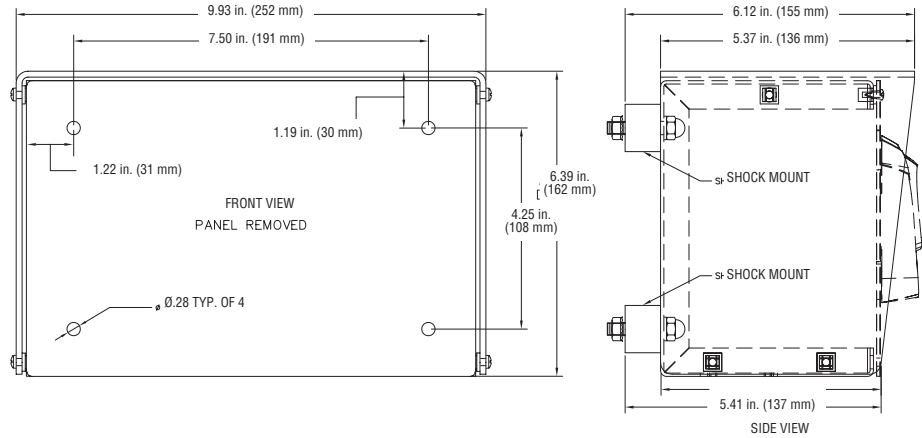
The following are some of the engine and transmission parameters displayed by the PowerView in English or Metric units (when applicable), consult engine or transmission manufacturer for SAE J1939 supported parameters.

- Engine RPM
- Engine Hours
- Machine Hours
- System Voltage
- % Engine Load at the Current RPM
- Coolant Temperature
- Oil Pressure
- Fuel Economy
- Throttle Position
- Engine Manifold Air Temperature
- Current Fuel Consumption
- Transmission Gear Oil Pressure
- Transmission Gear Oil Temperature
- Transmission Gear Position
- Active Service Codes
- Stored Service Codes from the Engine
- Set Units for Display (English or Metric)
- View Engine Configuration Parameters

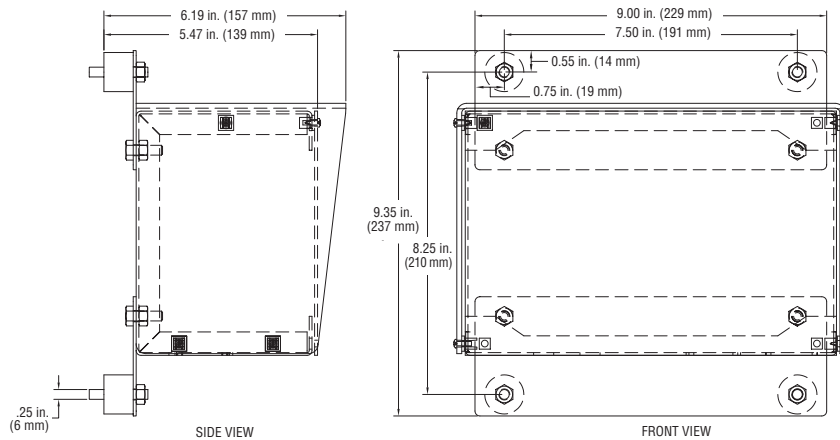
**Dimensions Flat Panel (only)
Includes Shock Mounts**



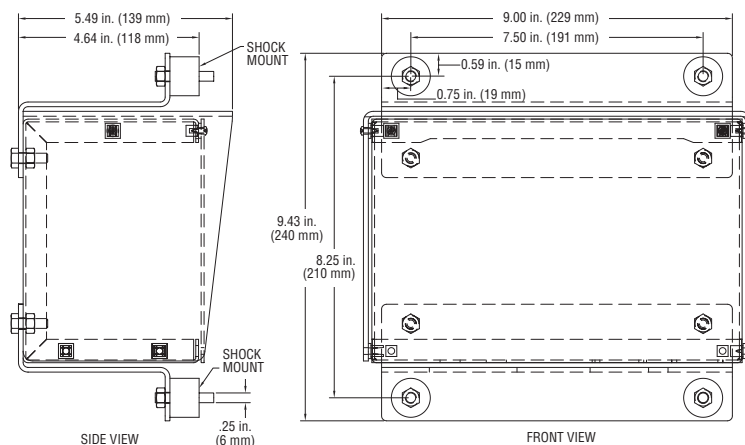
**Dimensions in Enclosure
Includes Shock Mounts**



**Surface Mount Dimension
(optional) Kit P/N 32-00-0033**



**Recessed Mount Dimension
(optional) Kit P/N 32-00-0035**



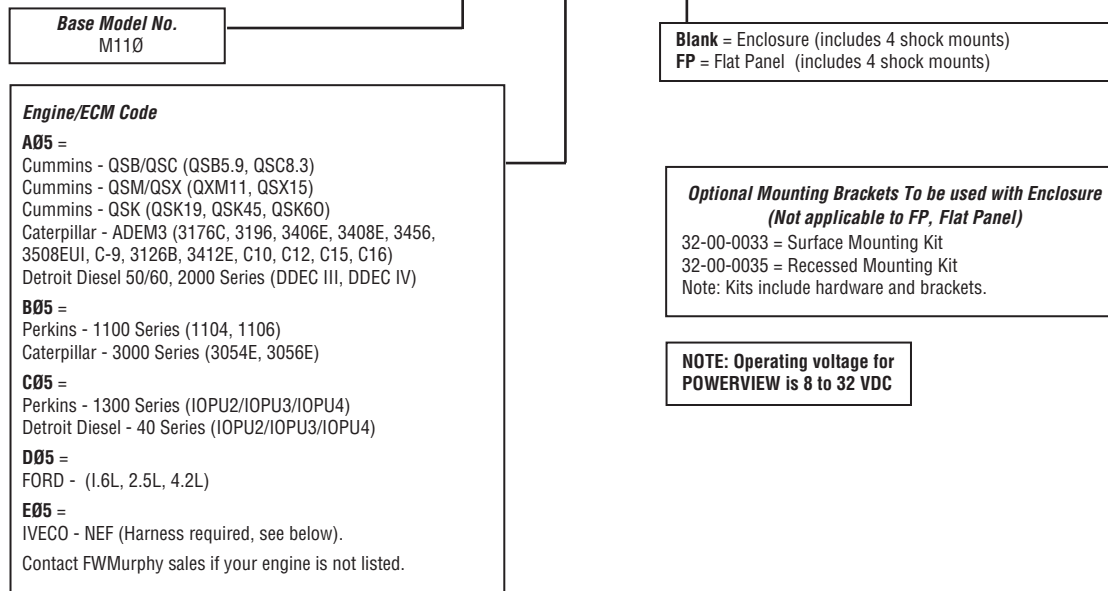
NOTE: It is the user's responsibility to verify that the electronic control module (ECM) has been programmed to support these control features, and that the appropriate external wire harness or other interconnecting wiring has been installed from the panel to the ECM.

How to Order

To order, use the model number designation diagram below.

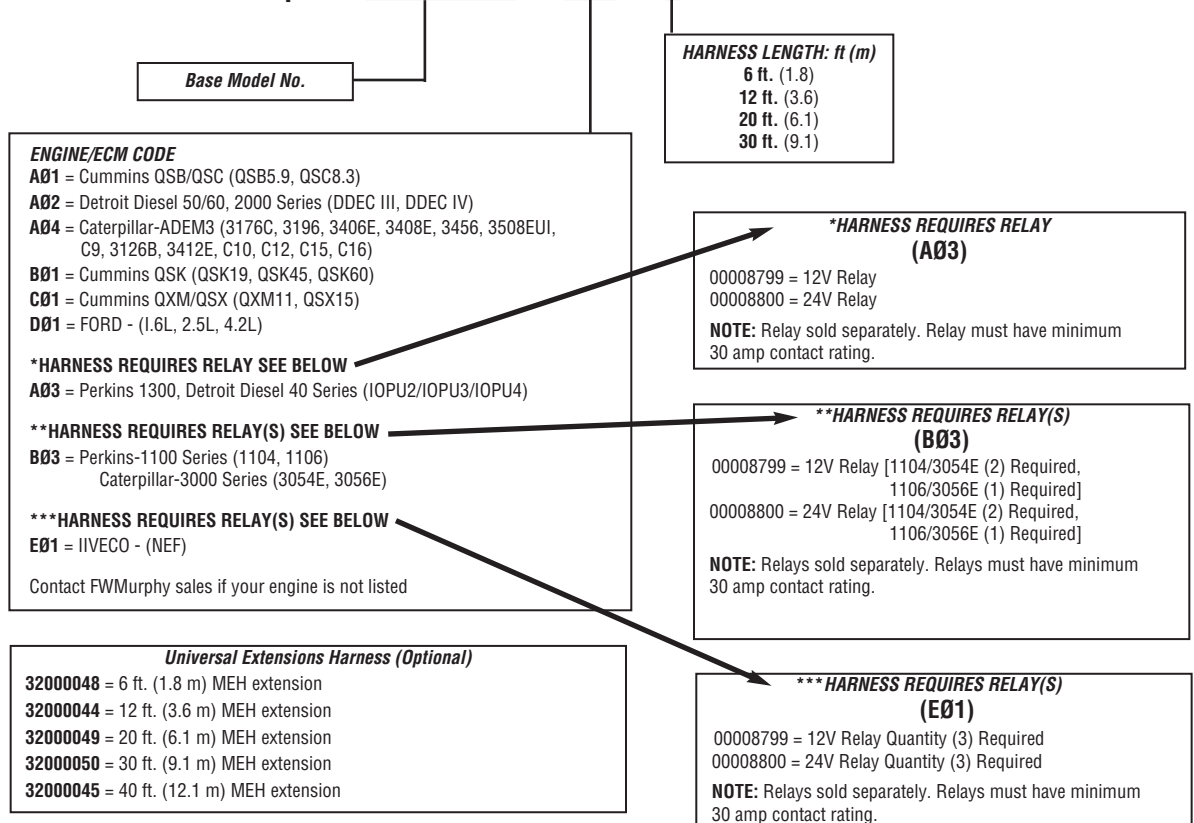
M-LINK M110 Panel Model Number Order Matrix for CUMMINS, CATERPILLAR, PERKINS, DETROIT DIESEL, IVECO, FORD Engines

Example: **M110- B05 -**



M-LINK M010 External Harnesses Model Number Order Matrix For M110 Panels CUMMINS, CATERPILLAR, PERKINS, DETROIT DIESEL, IVECO, FORD Engines

Example: **MEH-M010 - A03 - 6**





FW Murphy

P.O. Box 470248
Tulsa, Oklahoma 74147 USA
+1 918 317 4100 **fax** +1 918 317 4266
e-mail sales@fwmurphy.com

www.fwmurphy.com

CONTROL SYSTEMS & SERVICES DIVISION

P.O. Box 1819; Rosenberg, Texas 77471; USA
+1 281 633 4500 **fax** +1 281 633 4588
e-mail sales@fwmurphy.com

MURPHY DE MEXICO, S.A. DE C.V.

Blvd. Antonio Rocha Cordero 300, Fracción del Aguaje
San Luis Potosí, S.L.P.; México 78384
+52 444 8206264 **fax** +52 444 8206336
Villahermosa Office +52 993 3162117
e-mail ventas@murphymex.com.mx
www.murphymex.com.mx

Warranty

A limited warranty on materials and workmanship is given with this FW Murphy product. A copy of the warranty may be viewed or printed by going to www.fwmurphy.com/support/warranty.htm

INDUSTRIAL PANEL DIVISION

P.O. Box 470248
Tulsa, Oklahoma 74147 USA
+1 918 317 4100 **fax** +1 918 317 4266
e-mail sales@fwmurphy.com
www.fwmurphy.com

FRANK W. MURPHY, LTD.

Church Rd.; Laverstock, Salisbury SP1 1QZ; U.K.
+44 1722 410055 **fax** +44 1722 410088
e-mail sales@fwmurphy.co.uk
www.fwmurphy.co.uk



USA-ISO 9001:2000 FM 28221
UK-ISO 9001:2000 FM 29422

Printed in U.S.A.

In order to consistently bring you the highest quality, full featured products, we reserve the right to change our specifications and designs at any time.