

Marine Engine Monitoring and Information System

Master Unit (Engine Room)



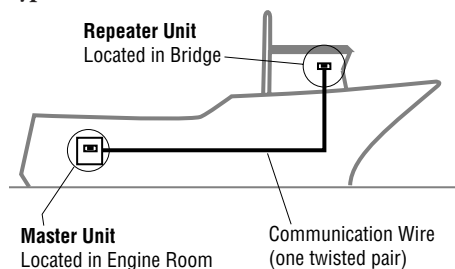
Repeater Unit (Bridge)



Murphy's Marine Engine Monitoring & Information System (MEMIS) is a micro-processor based system for monitoring engine and gear functions and provides a vital communications link between the Engine Room and remote locations such as the Bridge. A Master Unit in the Engine Room monitors all engine and gear functions and displays operating data locally and to remote Repeater unit(s). Each Master and Repeater unit displays operating data on a two-line alphanumeric LCD display. Only one twisted pair of wires is required to communicate between the Master and Repeater Unit(s).

CAUTION: Certain dangers to human safety and to equipment may occur if some equipment is stopped without pre-warning. It is recommended that monitored functions be limited to alarm only or to alarm before shutdown.

Typical Installation



Compare these features:

- Pass Code protected entry into settings menus;
- Reliable microprocessor based logic;
- Weatherproof, convenient Engine Room panel;
- Standard Murphy (or equal) electric gauge senders provide analog input data for pressures and temperatures;
- Displays RPM, Running Hours and Voltmeter;
- Accepts up to 7 analog input signals in addition to RPM;
- Accepts up to 4 optically-isolated digital inputs;
- Backlit 2 lines 16 character each, LCD display;

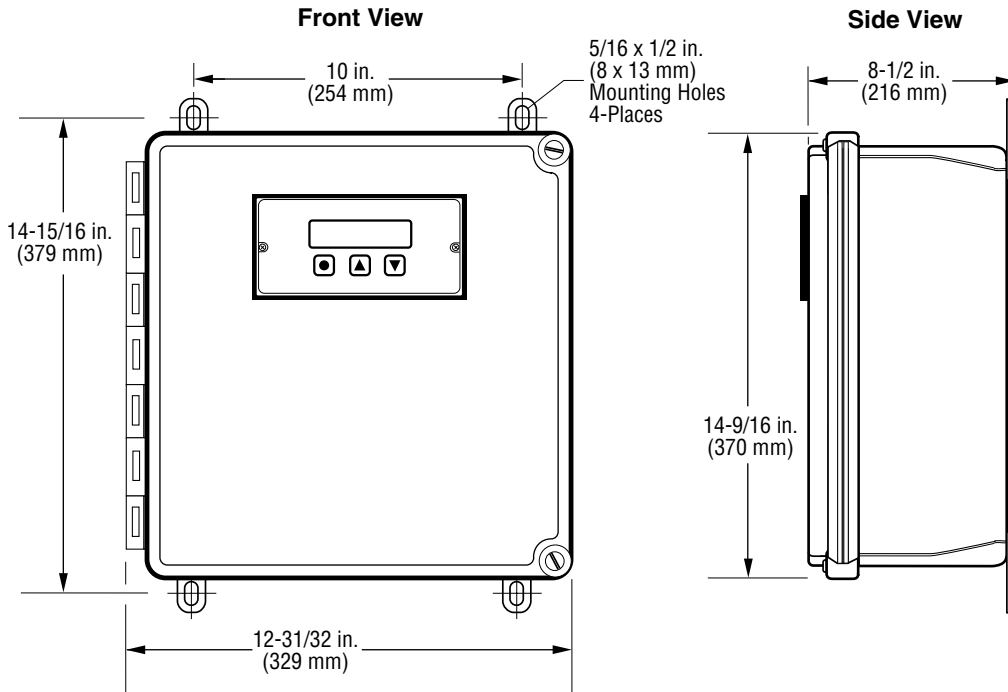
- Selectable and settable Alarm Ring Back Delay;
- Selectable delay on signal inputs;
- Ramped Low Pressure Alarm settings for all pressure functions;
- Service Reminders for
 - Lube Oil Change
 - Lube Oil Filter
 - Air Filter
 - Fuel Filter
- Logs last 10 Alarms and time of alarm;
- On board service diagnostics.

Standard MEMIS program monitors the following engine and gear vital signs:

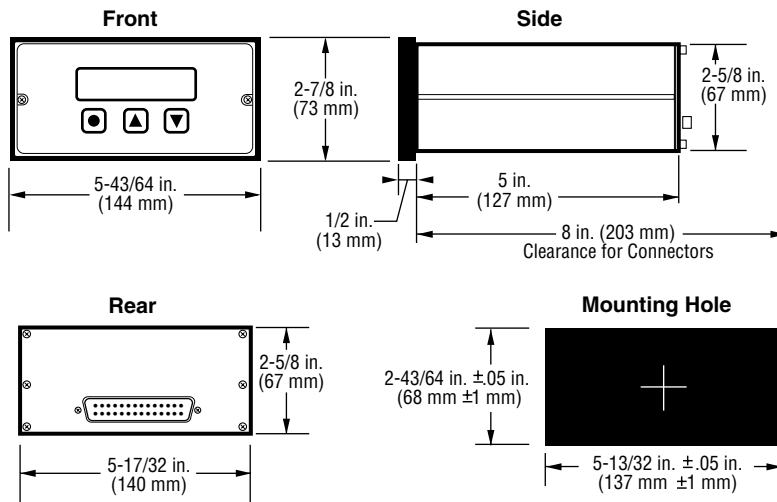
- Engine Temperature
- Oil Pressure
- Fresh Water Pressure
- Raw Water Pressure
- Fuel Pressure
- Gear Oil Pressure
- Gear Oil Temperature
- Coolant Level
- Oil Level
- Custom Programs to Your Specifications Available

Dimensions

Master Unit (Engine Room)



Repeater Unit (Bridge)



FW Murphy
P.O. Box 470248
Tulsa, Oklahoma 74147 USA
+1 918 317 4100
fax +1 918 317 4266
e-mail sales@fwmurphy.com
www.fwmurphy.com

CONTROL SYSTEMS & SERVICES DIVISION
P.O. Box 1819; Rosenberg, Texas 77471; USA
+1 281 633 4500 **fax** +1 281 633 4588
e-mail sales@fwmurphy.com

MURPHY DE MEXICO, S.A. DE C.V.
Blvd. Antonio Rocha Cordero 300, Fracción del Aguaje
San Luis Potosí, S.L.P.; México 78384
+52 444 8206264 **fax** +52 444 8206336
Villahermosa Office +52 993 3162117
e-mail ventas@murphymex.com.mx
www.murphymex.com.mx

FRANK W. MURPHY, LTD.
Church Rd.; Laverstock, Salisbury SP1 1QZ; U.K.
+44 1722 410055 **fax** +44 1722 410088
e-mail sales@fwmurphy.co.uk
www.fwmurphy.co.uk

MURPHY SWITCH OF CALIFORNIA
41343 12th Street West
Palmdale, California 93551-1442; USA
+1 661 272 4700 **fax** +1 661 947 7570
e-mail sales@murphyswitch.com
www.murphyswitch.com

MACQUARRIE CORPORATION
1620 Hume Highway
Campbellfield, Vic 3061; Australia
+61 3 9358 5555 **fax** +61 3 9358 5558
e-mail murphy@macquarrie.com.au



In order to consistently bring you the highest quality, full featured products, we reserve the right to change our specifications and designs at any time.

Printed in U.S.A.