

# Automatic Engine Controller



## ASM150

- Ideal for Generators
- Solid-state Construction
- Compatible with Most New or Existing Murphy SWICHGAGE® Monitoring Systems
- Advanced, Rugged, Reliable Microprocessor Based Design
- Built-in Crank Disconnect and Overspeed Switch
- First-out Shutdown LED

### Description

The ASM150 is a user friendly, solid-state, automatic engine controller. It provides basic automatic start/stop capabilities plus other features found on more sophisticated and expensive controllers.

The ASM150 operates from 12 or 24 volt battery. It includes features such as selectable crank and rest cycles, sensing circuit for crank disconnect and overspeed, overcrank, and re-crank protection on false starts. Four LEDs indicate first-out shutdown for: low pressure, high temperature, overcrank and overspeed. A fifth LED indicates engine running.

Advanced microprocessor circuitry gives the ASM150 high reliability and flexibility.

The ASM150 is compact and housed in a corrosion-resistant case. It mounts flush in a panel and requires very little room. Ideal for small generator or engine panels.

### Features

- Compact design
- Optically Isolated Noise Resistant Inputs
- Re-Cranks Engine on False Starts
- Adjustable Lockout Time Delay During Startup
- Two (2) Element Adjustable Speed Switch
- Outputs for Cranking and Fuel Valve
- Outputs for Fault Annunciation
- Lamp Test Terminal

### Specifications

**Power Input:** 12 or 24 VDC.

**Operating Temperature:**  
-40 to 185°F (-40 to +85°C).

**Inputs:** Ground or positive inputs for high temperature or low pressure sensors.

### Outputs

- 5 A relay for cranking and fuel valve.
- 300 mA transistor for fault annunciation.

**Cycle Crank Timer:** Up to 8 attempts. Re-Cranks on false starts (fixed 30 seconds).

**Crank/Rest Cycle Timing**  
4 to 25 seconds (adjustable).

**Lockout Time Delay:** 1 to 25 seconds (adjustable). Locks out low oil and high temperature on start-up.

**Crank Disconnect Speed Setting**  
From 30 to 8500 Hz.

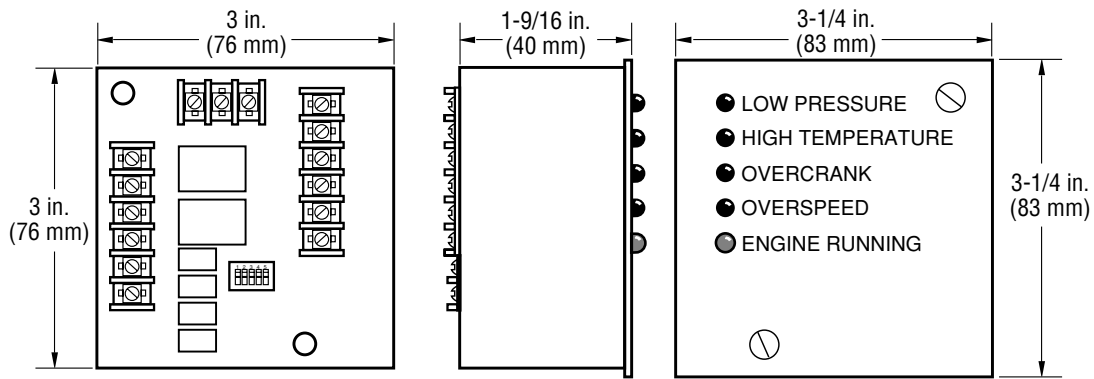
**Overspeed Trip Point Setting**  
From 30 to 8500 Hz.

**Magnetic Pickup Input**  
Requires 2V rms minimum.

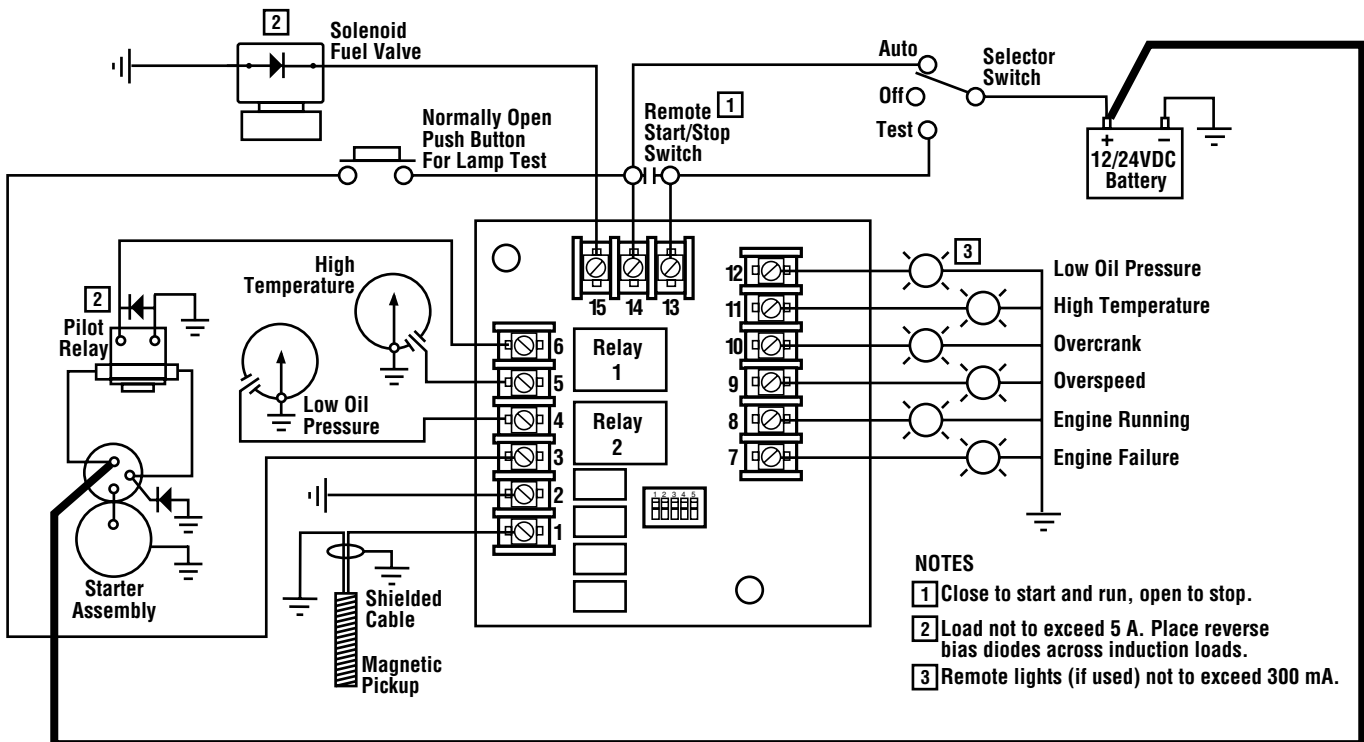
**Shipping Weight:** 1 lb. 2 oz. (0.51 kg.).

**Shipping Dimensions**  
5 x 4-3/4 x 2-3/4 in. (127 x 121 x 70 mm).

## Dimensions



## Typical Wiring Diagram



## How to Order

Specify ASM150-14.



**CAUTION:** Certain danger to human and to equipment such as applied in a mobile or marine application may occur if some equipment is stopped without pre-warning. It is therefore, recommended that monitored functions be limited to alarm only or to alarm before shutdown in such applications.

## Warranty

A limited warranty on materials and workmanship is given with this FW Murphy product. A copy of the warranty may be viewed or printed by going to [www.fwmurphy.com/support/warranty.htm](http://www.fwmurphy.com/support/warranty.htm)

# MURPHY

**FW Murphy**  
P.O. Box 470248  
Tulsa, Oklahoma 74147 USA  
+1 918 317 4100  
fax +1 918 317 4266  
e-mail [sales@fwmurphy.com](mailto:sales@fwmurphy.com)  
[www.fwmurphy.com](http://www.fwmurphy.com)

**CONTROL SYSTEMS & SERVICES DIVISION**  
P.O. Box 1819; Rosenberg, Texas 77471; USA  
+1 281 633 4500 fax +1 281 633 4588  
e-mail [sales@fwmurphy.com](mailto:sales@fwmurphy.com)

**MURPHY DE MEXICO, S.A. DE C.V.**  
Blvd. Antonio Rocha Cordero 300, Fracción del Aguaje  
San Luis Potosí, S.L.P.; México 78384  
+52 444 8206264 fax +52 444 8206336  
Villahermosa Office +52 993 3162117  
e-mail [ventas@murphymex.com.mx](mailto:ventas@murphymex.com.mx)  
[www.murphymex.com.mx](http://www.murphymex.com.mx)

**FRANK W. MURPHY, LTD.**  
Church Rd.; Laverstock, Salisbury SP1 1QZ; U.K.  
+44 1722 410055 fax +44 1722 410088  
e-mail [sales@fwmurphy.co.uk](mailto:sales@fwmurphy.co.uk)  
[www.fwmurphy.co.uk](http://www.fwmurphy.co.uk)

**MURPHY SWITCH OF CALIFORNIA**  
41343 12th Street West  
Palmdale, California 93551-1442; USA  
+1 661 272 4700 fax +1 661 947 7570  
e-mail [sales@murphyswitch.com](mailto:sales@murphyswitch.com)  
[www.murphyswitch.com](http://www.murphyswitch.com)

**MACQUARRIE CORPORATION**  
1620 Hume Highway  
Campbellfield, Vic 3061; Australia  
+61 3 9358 5555 fax +61 3 9358 5558  
e-mail [murphy@macquarrie.com.au](mailto:murphy@macquarrie.com.au)



In order to consistently bring you the highest quality, full featured products, we reserve the right to change our specifications and designs at any time.

Printed in U.S.A.