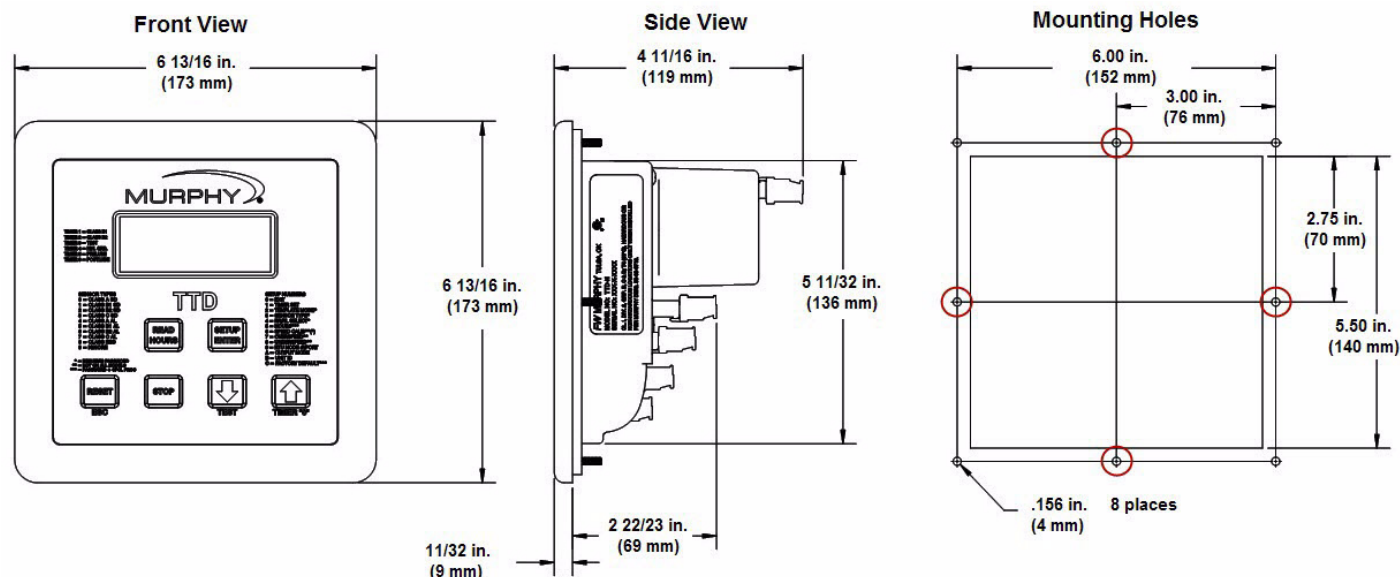


TTD™ Display Head (NEMA)



Special Considerations:

1. When installed per Murphy installation instructions, the new designed TTD display is NEMA 4 rated.
2. The hole cutout above is a tighter diameter requirement for the NEMA 4 rating. Existing holes may be larger and could void the gasket/surface requirement for the NEMA 4 rating.
3. Installation of the NEMA 4 TTD will not necessarily change the NEMA rating of your control panel. The design of the control panel must be rated for NEMA 4 applications.
4. Mounting studs for the locations circled above can be removed (if necessary) when replacing the original designed bezel for the TTD (not NEMA rated). If replacing the original designed TTD head, be aware that the removal of these studs will VOID the NEMA 4 rating of the new designed Display.
5. Removal of studs (if necessary) will **NOT** void any warranty.
6. Stud tightening pattern should be followed as stated: Top left corner, Bottom right corner, Top right corner, Bottom left corner, Top center, Bottom center, Right center, Left center.
7. Tighten holding nuts to 9 in. / lbs.

FW MURPHY

P.O. Box 470248
Tulsa, Oklahoma 74147 USA
+1 918 317 4100 Fax: +1 918 317 4266
E-mail: sales@fwmurphy.com

INDUSTRIAL PANEL DIVISION

Fax: +1 918 317 4124
E-mail: ipdsales@fwmurphy.com

MURPHY POWER IGNITION

Web site: www.murphy-pi.com

CONTROL SYSTEMS & SERVICES DIVISION

P.O. Box 1819
Rosenberg, Texas 77471 USA
Phone: +1 281 633 4500 Fax: +1 281 633 4588
E-mail: css-solutions@fwmurphy.com

FRANK W. MURPHY LTD.

Church Road, Laverstock
Salisbury, SP1 1GZ, UK
Phone: +44 1722 410055 Fax: +44 1722 410088
E-mail: sales@fwmurphy.co.uk
Web site: www.fwmurphy.co.uk

COMPUTRONIC CONTROLS

41 - 43 Railway Terrace
Nechells, Birmingham, B7 5NG, UK
Phone: +44 121 327 8500 Fax: +44 121 327 8501
E-mail: sales@computroniccontrols.com
Web site: www.computroniccontrols.com

www.fwmurphy.com

FW MURPHY INSTRUMENTS (HANGZHOU) CO., LTD.

77 23rd Street
Hangzhou Economic & Technological Development Area
Hangzhou, Zhejiang, 310018, China
Phone: +86 571 8788 6060 Fax: +86 571 8684 8878



USA-ISO 9001:2000 FM 28221
UK-ISO 9001:2000 FM 29422
Registered Facilities

ISO 9001
REGISTERED

Printed in U. S. A.

07/09