



PRESSURE SWITCH-GAUGE WITH HIGH/LOW SETPOINTS 45PHL SERIES

- SUPERIOR TECHNOLOGY
 - DIRECT DRIVE MOVEMENT
 - NO GEARS, LEVERS OR WEARING PARTS
 - LONGER LIFE IN VIBRATING ENVIRONMENT
 - INHERENT SAFETY DESIGN
 - ACCESSIBLE ZERO ADJUSTMENT FROM FACE
 - $\pm 1\%$ ACCURACY
- CORROSION RESISTANT MATERIALS
 - PLASTIC CASE
 - INCONEL TUBE
 - STAINLESS STEEL SOCKET
- UNIVERSAL APPLICATION
 - INDUSTRY STANDARD 4-1/2" ROUND CASE
 - ADJUSTABLE BACK OR BOTTOM CONNECTION
 - EASY RETROFIT REPLACEMENT
 - INTERCHANGEABLE WITH OPLFC GAUGES

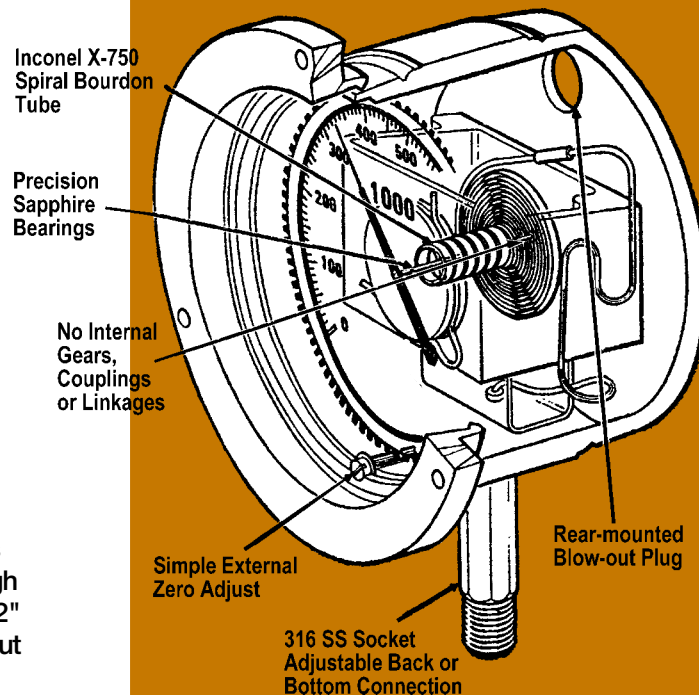
The Altronic 45PHL series pressure switch-gauges offer a new standard for a mechanical pressure gauge with high/low switch contacts. Utilizing a "direct drive" movement, the antiquated C-bourdon tube used in most other pressure gauges is eliminated as are the gears, links, levers and springs used to connect the C-tube to the indicating pointer. The 45PHL series uses a special helically-wound coil of Inconel, directly connected to the indicating pointer. Fewer parts, fewer problems. The "direct drive" design provides for longer life than even liquid-filled conventional gauges in severe service applications. The basic design is inherently safer due to the very small tube I.D. and a rubber blow-out plug in the rear wall of the case. It is also more resistant to pulsation.

A zero adjustment is accessible from the front of the gauge. Linearity and span are built-in and require no adjustment. Accuracy is $\pm 1\%$ across the scale. The connection stem is user-adjustable for either bottom or back connection. Corrosion resistant materials are used throughout — from the plastic housing to the Inconel helical tube, to stainless steel screws and rivets. The connection socket is also 316 stainless steel — standard.

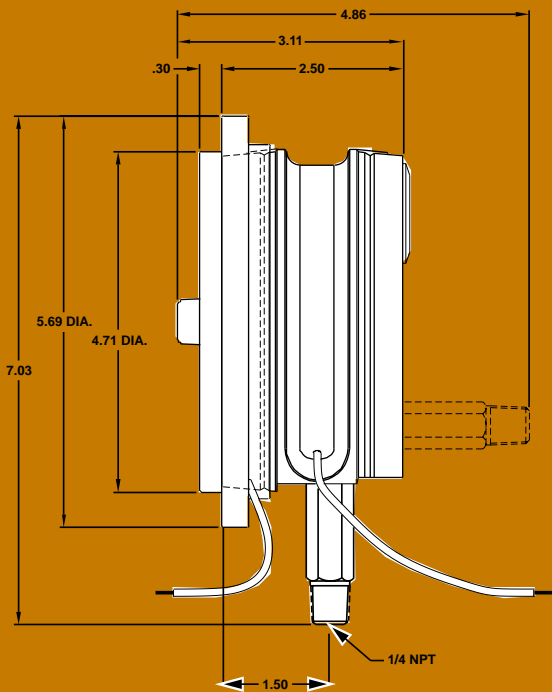
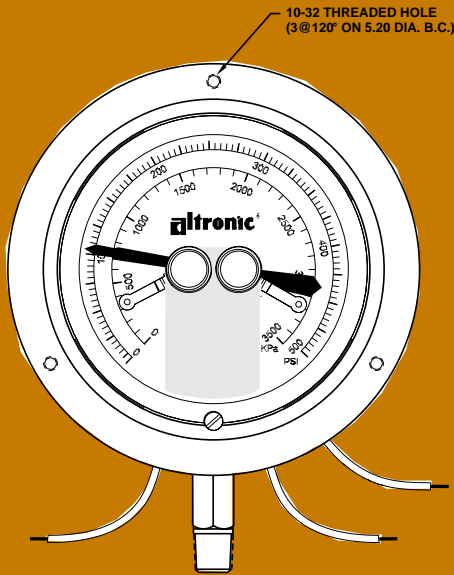
The features of the Altronic 45PHL series pressure switch-gauges make them ideal for gas compressor and other high pulsation/high vibration use, offering longer life in tough applications. The 4-1/2" round, weather-resistant case fits an industry-standard panel cutout allowing easy replacement of OPLFC gauges.



The 45PHL "Direct Drive Difference™"



DIMENSIONS



SPECIFICATIONS

ACCURACY ± 1% OF FULL SCALE
 MAX. PRESSURE CAPABILITY 150% OF FULL SCALE
 AMBIENT TEMPERATURE RANGE -65° F. TO 190° F. / -54° C. TO 88° C.
 SERVICE MEDIA TEMPERATURE -65° F. TO 400° F. / -54° C. TO 204° C.
 SETPOINT SWITCH RATING 0.25 AMP @ 125 VOLTS (AC OR DC)

MATERIALS:

CASE ABS PLASTIC, BLACK
 LENS POLYCARBONATE
 SENSING ELEMENT INCONEL X-750
 SOCKET AND CONNECTING TUBE 316 STAINLESS STEEL

CONNECTION THREAD:

TO 1000 PSI 1/4" NPT
 1500 TO 5000 PSI 1/2" NPT

TO ORDER

PRESSURE SWITCH-GAUGE

30" Hg to 30 psi	45PHL-30V30
30" Hg to 100 psi	45PHL-30V100
0-30 psi	45PHL-30
0-60 psi	45PHL-60
0-100 psi	45PHL-100
0-160 psi	45PHL-160
0-200 psi	45PHL-200
0-300 psi	45PHL-300
0-500 psi	45PHL-500
0-600 psi	45PHL-600
0-1000 psi	45PHL-1000
0-1500 psi	45PHL-1500
0-2000 psi	45PHL-2000
0-3000 psi	45PHL-3000
0-5000 psi	45PHL-5000

CAUTION – Use these gauges only with:

1. Altronic or other electronic annunciator
2. C.D. ignition system with 307-PH-CD tattletales
3. DC signal of 24V., 0.5 Amp max.

DO NOT USE 45PHL SWITCH-GAUGES WITH TYPE 101-PH or 307-PH tattletales.

PULSATION DAMPENING VALVES

The following pulsation dampening valves are available for use with the 45PHL switch-gauges when used in high pulsation applications:

Steel, 1/4 NPT fitting 618100-1
 Stainless, 1/4 NPT fitting 618100-2

CLASS I, DIVISION 2, GROUPS C AND D APPLICATION:

Use Altronic annunciator DD-NT, DD-NTS, DE series.

CLASS I, DIVISION 1, GROUP D APPLICATION:

Use Altronic annunciator DD-NT series with Division 1, 690 series power supply.

altronic[®]
inc.

712 TRUMBULL AVE / GIRARD, OH 44420
 (330) 545-9768 / Fax: (330) 545-9005
 www.altronicinc.com E-mail: sales@altronicinc.com

Form 45PHL 7-02 ©2002 Altronic, Inc.